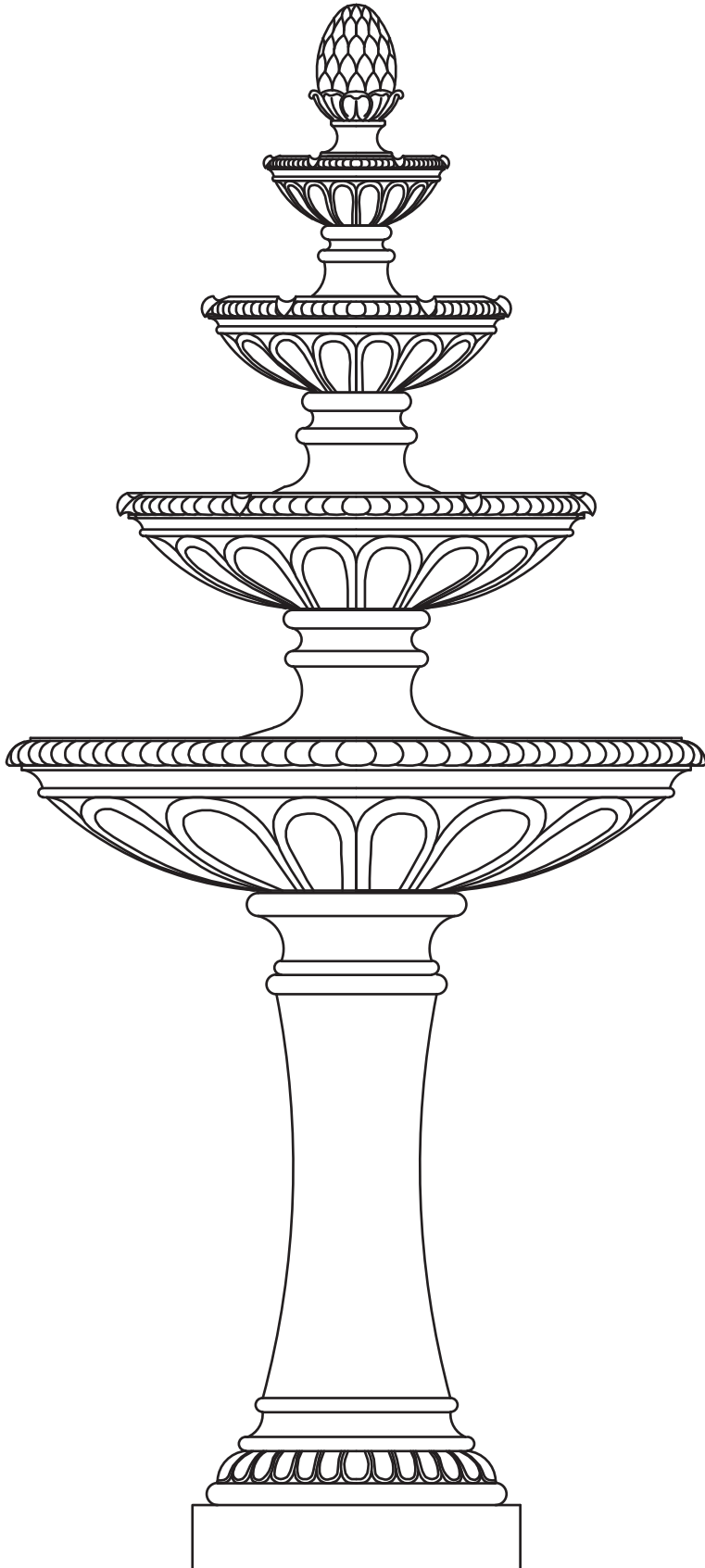


Thank you for choosing Sunnydaze Decor. We stand behind our brand and the quality of the items we sell. Replacement parts or products will be sent at our discretion within the 1-year warranty period. Proof of purchase, with the date of purchase as well as photos of the merchandise defect, must be provided. Photos are used to determine the cause of defects and for future quality control. Register your warranty at <https://tiny.cc/SunnydazeWarranty>. If you have any questions, comments or concerns, feel free to contact us by phone at 833-982-1977, by email: customerservice@sunnydazedecor.com, or via our contact us page at <https://tiny.cc/SunnydazeContact>

4-TIER EGGSHELL OUTDOOR WATER FOUNTAIN WITH LED LIGHTS GSI-781

Read assembly instructions carefully and follow the care instructions.
Save these instructions for future reference.

**Select a smooth, level surface to place the fountain.
Assemble components on a soft, clean surface
to avoid scratching or damaging the finish.**



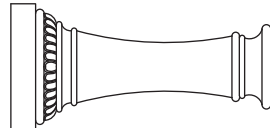







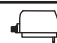
Inspect packaging to ensure all parts are accounted for before disposing of packing materials.



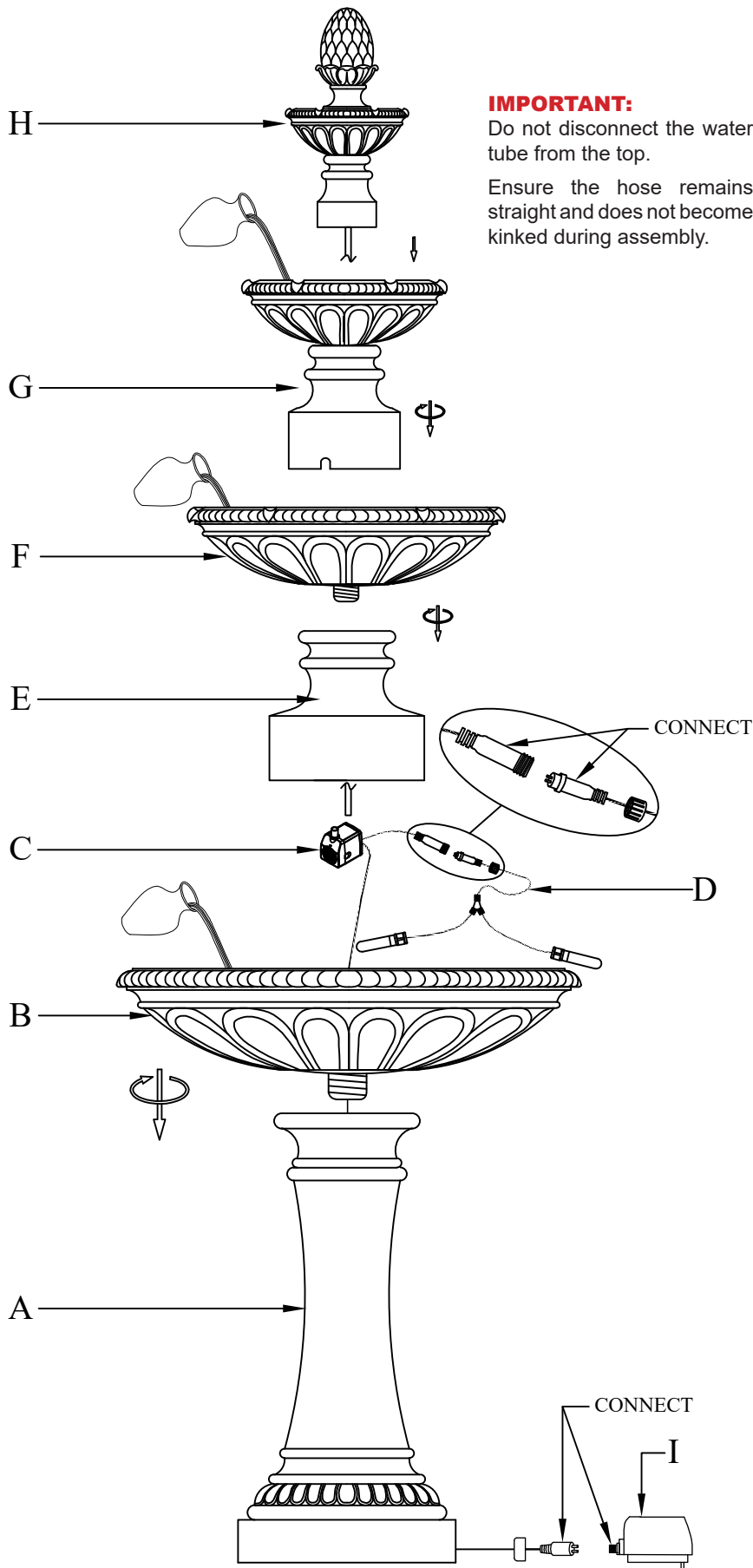
2-PERSON
ASSEMBLY
RECOMMENDED



NOTE: The water tubing is built into the topper. Take care when handling the water tube; detaching the water tube from the decorative top will damage the fountain and void the product warranty.

No.	PARTS	QTY.
A	 Pedestal	1
B	 Large Tier	1
C	 Electric Submersible Pump	1
D	 LED Lights (may be built into pump)	1
E	 Column	1
F	 Third Tier	1
G	 Second Tier	1
H	 Topper	1
I	 AC Adapter	1

ASSEMBLY



IMPORTANT:
Do not disconnect the water tube from the top.
Ensure the hose remains straight and does not become kinked during assembly.

1. Place Large Tier (B) onto Pedestal (A), twist the large tier to lock it onto the pedestal.
2. Place the Electric Submersible Pump (C) into Large Tier (B). Run the long power cord through the tube in the large tier, through the pedestal, and under the groove in the backside of the pedestal.
3. Connect LED Lights (D) to Electric Submersible Pump (C) and place the lights in the metal clips in the bottom of Large Tier (B).
4. Run the water tube that is built into Topper (H) through Second Tier (G) and twist to lock the pieces together.
5. Connect Second Tier (G) to Third Tier (F), twist to lock.
6. Connect Third Tier (F) to Column (E), twist to lock.
7. With assistance, firmly connect the pump to the water tube. Ensure the flow control on the front of the pump is open.
8. Ensuring the light cords are safely within the grooves on the bottom of the large column, place the assembled tiers onto Large Tier (B), twist to lock.
9. Firmly connect the AC Adapter (I) to the pump power cord.
10. Fill all tiers with enough water to keep the pump fully submerged during operation; approximately 6.5 gallons.
11. Plug the power cord into a properly grounded GFCI outlet.

NOTE: When first used, there may be air in the pump. It may take several moments for trapped air to escape, allowing water to flow.

Care & Maintenance

- For outdoor use only. Some splashing is normal; adjust the flow rate on the pump if the water rate is too high.
- Check the water level frequently to ensure the pump remains fully submerged; never allow the pump to run dry as it will burn out the motor.
- Some climates and weather conditions increase water evaporation, requiring water to be added more frequently. Frequently check water levels during times of high temperatures, wind, and long-term exposure to direct sunlight to ensure the pump does not run dry.
- Only use water in this fountain. Distilled water will help prevent mineral buildup but is not required. Tap water is okay to use, but avoid heavily chlorinated water as it may damage the pump and cause the finish to peel.
- Periodically change the water to keep the water, fountain, and pump clean. Remove scale and buildup regularly.
 - DO NOT use harmful additives such as bleach, chlorine, etc.
 - DO NOT use anything abrasive to scrub the fountain.
 - DO NOT use a pressure washer.
- Always unplug the power supply before cleaning and maintaining the fountain and the recirculating pump.
- Take care when handling the pump; only pick it up by the body of the pump, never the power cord.
- During freezing weather, drain the fountain, disconnect the pump and store indoors; allowing ice to form may damage the fountain in such ways as, but not limited to, fountain cracking, permanent pump damage, and/or lighting malfunctions.

Troubleshooting

- If water is not flowing within several moments of the fountain being plugged in, the pump may have air bubbles in it, which can prevent water from circulating properly and can cause excess pump noise.
- Ensure that the pump is fully submerged underwater; add water as necessary.
- Check the flow control on the body of the pump, it may need to be adjusted to achieve the desired water flow rate.
- Inspect the pump and tubing for obstructions.
- Pump noise can be caused by trapped air, low water level, or the pump being too close to the sides of the fountain. Check the pump. If necessary, add water or moving the pump helps to reduce noise.
- Make sure the AC adapter is fully connected to the pump power cable. If the lights are not working, ensure the cable is fully connected, and the seal is adequately tightened (do not over-tighten). Additionally, Make sure the light cord was not crushed during assembly.
- Check to make sure the power outlet is working; consult a certified electrician if in doubt about electrical connections.

If you experience issues with assembly or the product was damaged during shipping, please contact our customer service team through one of the methods mentioned at the top of page 1. Please have the item number and order information ready to expedite response time.



IMPORTANT SAFETY INFORMATION



- For outdoor use only.
- Keep fountain out of reach of children and pets.
- Make sure the power cord is away from traffic areas.
- Keep power cord away from all heat sources. Do not use electrical cords in areas with high temperatures.
- Check the water level frequently to ensure the pump remains fully submerged; never allow the pump to run dry as it will burn out the motor.
- Always unplug the power supply before cleaning and maintaining the fountain and the recirculating pump.
- Take care when handling the pump; only pick it up by the body of the pump, never by the power cord.

Any modification to the product or failure to follow recommended care will void the product warranty.

WARNING:

Manufacturer and seller expressly disclaim any and all liability from personal injury, property damage or loss, whether direct or indirect, or incidental, resulting from the incorrect attachment, improper use, inadequate maintenance, or neglect of this product.