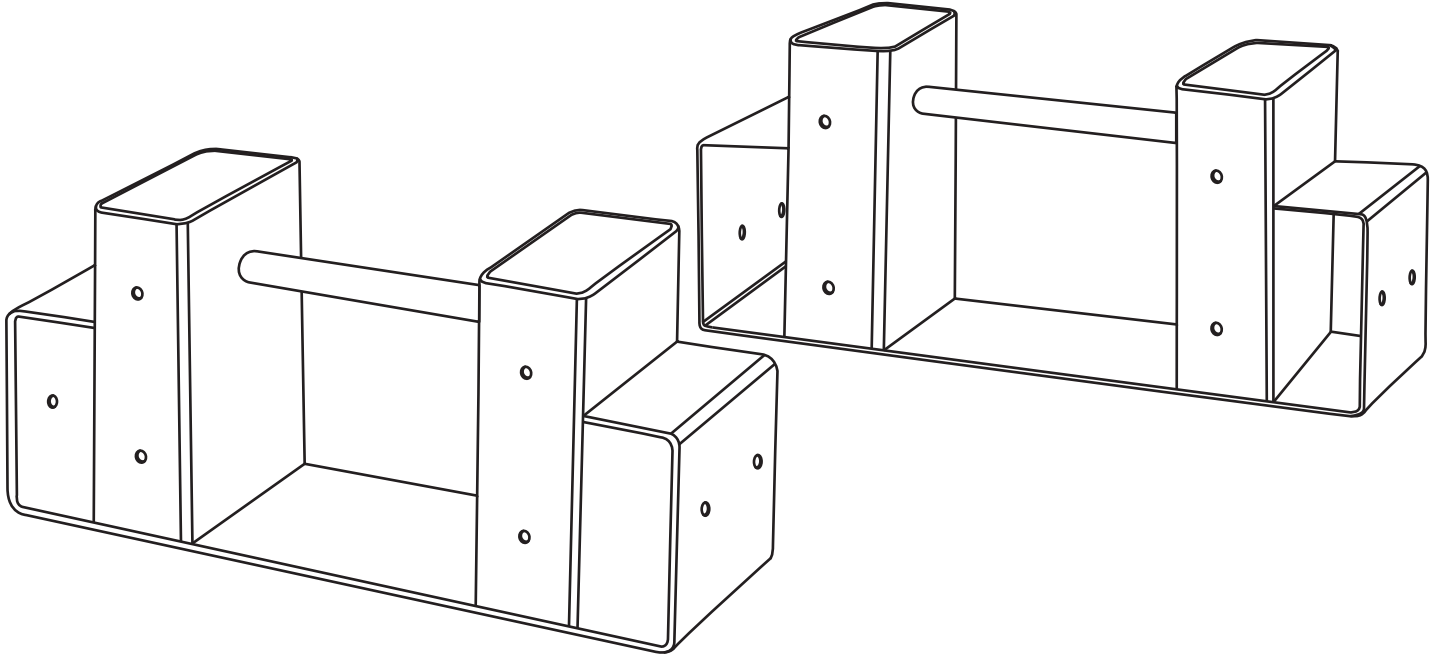
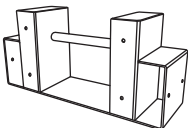



# LOG RACK BRACKET KIT QX-SLRB

Assemble on a soft, clean surface to avoid scratching or damaging the finish. Save this document for future reference.






Inspect packaging to ensure all parts are accounted for before disposing of packing materials.

No.	PARTS	QTY.
A	 Bracket	2
B	 M4x25mm Screw	24

**⚠ WARNING ⚠**

**CHOKING HAZARD** — This item contains small parts that can be swallowed. Keep children and pets away during assembly.

REQUIRED (not included)	
	2x4 Lumber
	Power Drill with Phillips Drill Bit
	Safety Glasses

**NOTE:** Lumber (not included) is nominal size and may need to be planed or sanded to fit inside the bracket slots.

**⚠ WARNING:** Manufacturer and seller expressly disclaim any and all liability from personal injury, property damage or loss, whether direct or indirect, or incidental, resulting from the incorrect attachment, improper use, inadequate maintenance, or neglect of this product.

# ASSEMBLY

Review all information and understand assembly before beginning.

## ! HELPFUL HINTS

Lumber required (not included): two equal pieces for the length of the rack, four pieces for the height of the rack.

**NOTE:** Additional brackets or bracing (not included) may be required for vertical lumber that is taller than 4 feet.

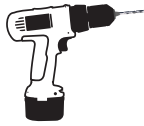
Lumber is nominal size and may need to be planed or sanded to fit inside the bracket slots.

Do not use lumber that is cracking or checking (splits in the length of the wood).

### STEP 1

A: 2

B: 8

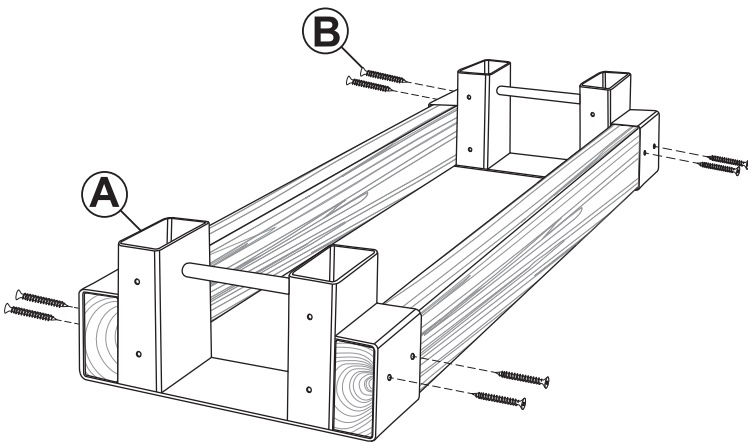


#### TIPS:

Drive screws at a low speed.

Ensure screws are installed straight.

If the screws are not penetrating your lumber, drill a pilot hole.



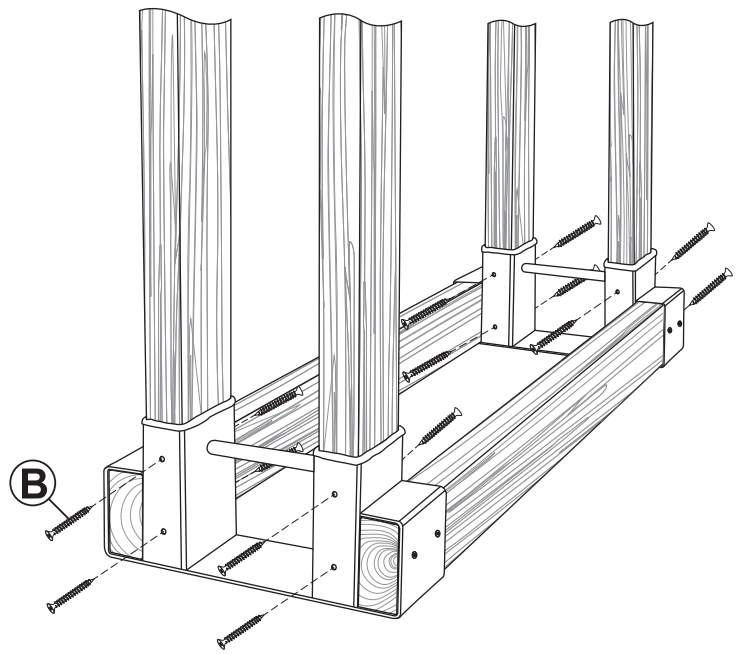
Lumber not included.

### STEP 2

B: 16

**IMPORTANT:** Ensure all screws are securely fastened before use.

Periodically check and tighten screws as necessary.



Lumber not included.

## ! SAFETY STATEMENTS & WARNINGS !

- Periodically check and tighten screws as necessary.
- Vertical lumber supports that exceed 4 feet in height should be reinforced with additional braces. Lumber and additional braces not included.
- Always use extreme caution when using power tools.

Any modification to the product or failure to follow recommended care will void the product warranty.

## ! WARNING!

Manufacturer and seller expressly disclaim any and all liability from personal injury, property damage or loss, whether direct or indirect, or incidental, resulting from the incorrect attachment, improper use, inadequate maintenance, or neglect of this product.