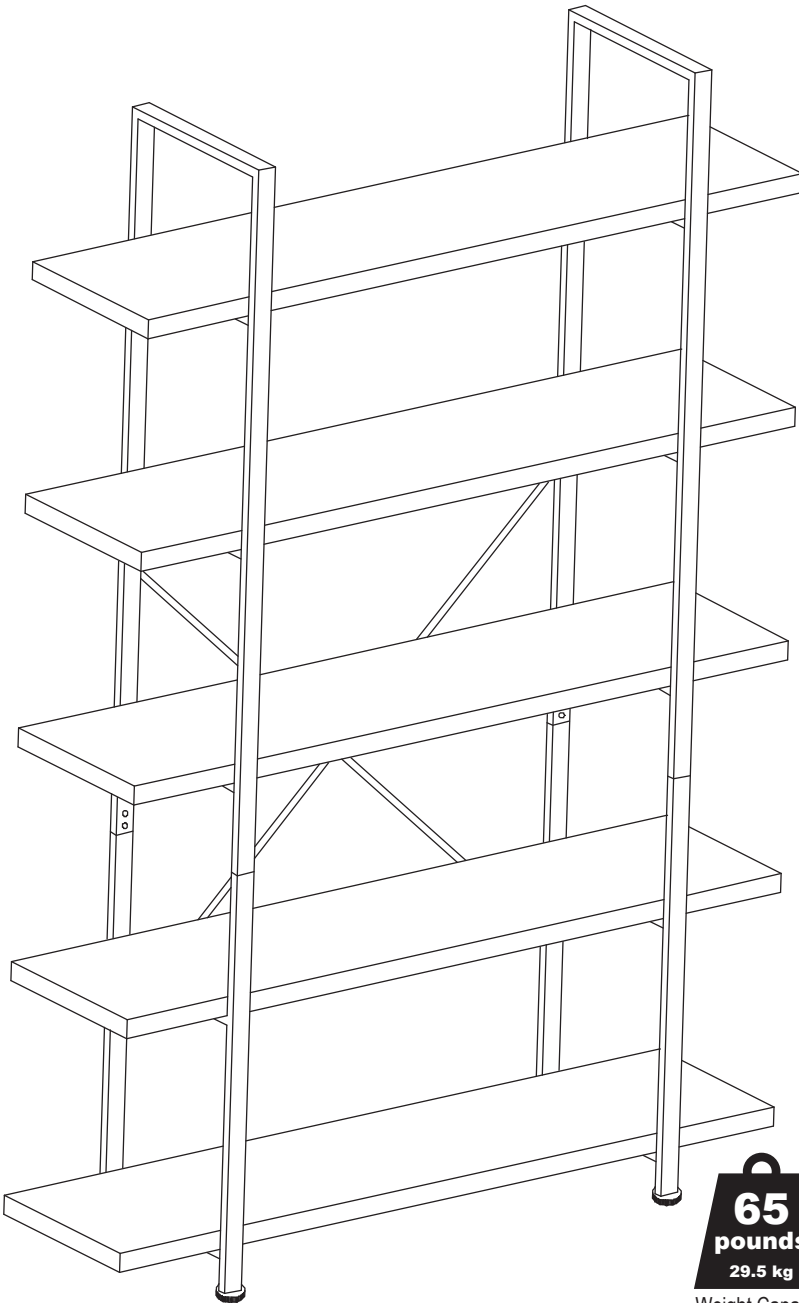


















Thank you for choosing Sunnydaze Decor. We stand behind our brand and the quality of the items we sell. Replacement parts or products will be sent at our discretion within the 1-year warranty period. Proof of purchase, with the date of purchase as well as photos of the merchandise defect, must be provided. Photos are used to determine the cause of defects and for future quality control. Register your warranty at <https://tiny.cc/SunnydazeWarranty>. If you have any questions, comments or concerns, feel free to contact us by phone at 833-982-1977, by email: customerservice@sunnydazedecor.com, or via our contact us page at <https://tiny.cc/SunnydazeContact>

INDUSTRIAL STYLE 5-TIER BOOKSHELF

Read all assembly and care instructions carefully before using this product. Save this document for future reference.
Assemble components on a soft, clean surface to avoid scratching or damaging the finish.

Inspect packaging to ensure all parts are accounted for before disposing of packing materials.
Save the packing slip.

No.	PARTS	QTY.
A	 Shelf	5
B	 Top Side Panel	2
C	 Bottom Side Panel	2
D	 Support Bar	2
E	 M6x12mm Bolt	12
F	 M6x15mm Bolt	1
G	 M6x25mm Bolt	20
H	 Nut	1
I	 Foot	4
J	 Wall Anchor	4
K	 M4x40mm Screw	4
L	 Bracket	2
M	 Zip Tie	2
N	 Spanner	1
O	 Hex Key	1

REQUIRED TOOLS (not included)



! WARNING !

CHOKING HAZARD — This item contains small parts that can be swallowed. Keep children and pets away during assembly.

! HELPFUL HINT

Do not fully tighten fittings until all components are assembled. If fittings are tightened too soon, mounting holes may not align, and parts may not easily fit together.



65 pounds
29.5 kg
Weight Capacity per Shelf

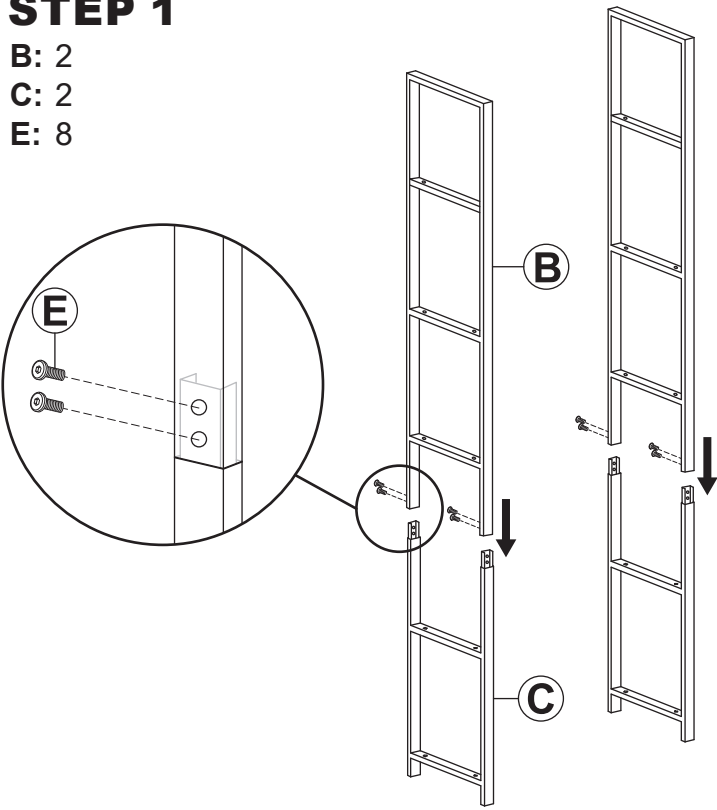
ASSEMBLY

Review and understand assembly before beginning.

Do not fully tighten fittings until all components have been loosely assembled.

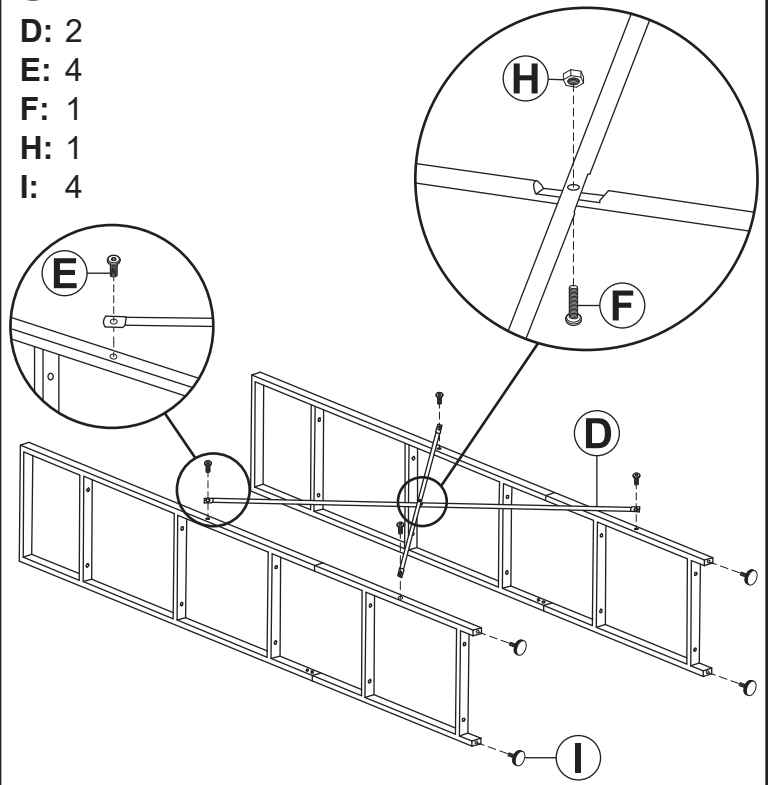
STEP 1

B: 2
C: 2
E: 8



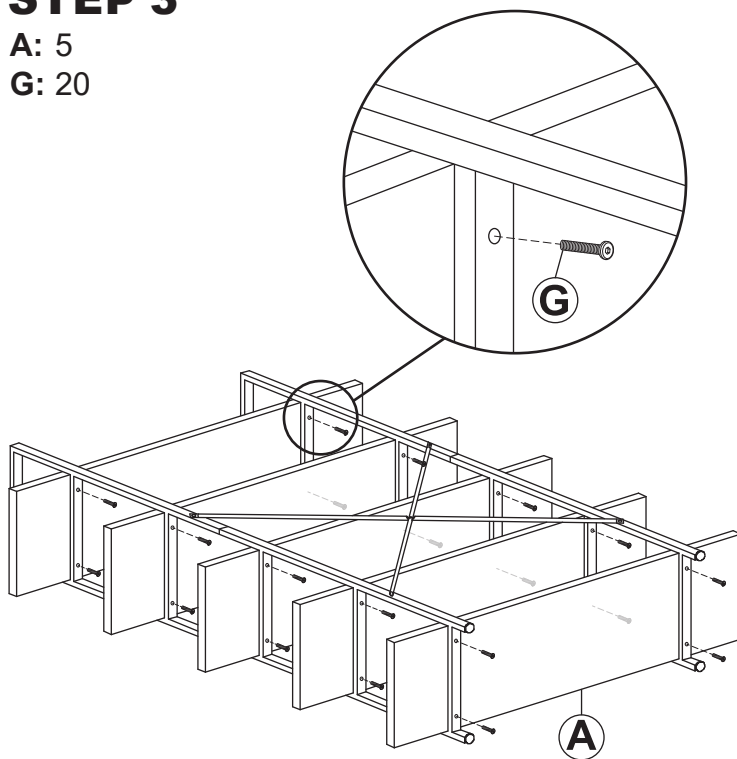
STEP 2

D: 2
E: 4
F: 1
H: 1
I: 4



STEP 3

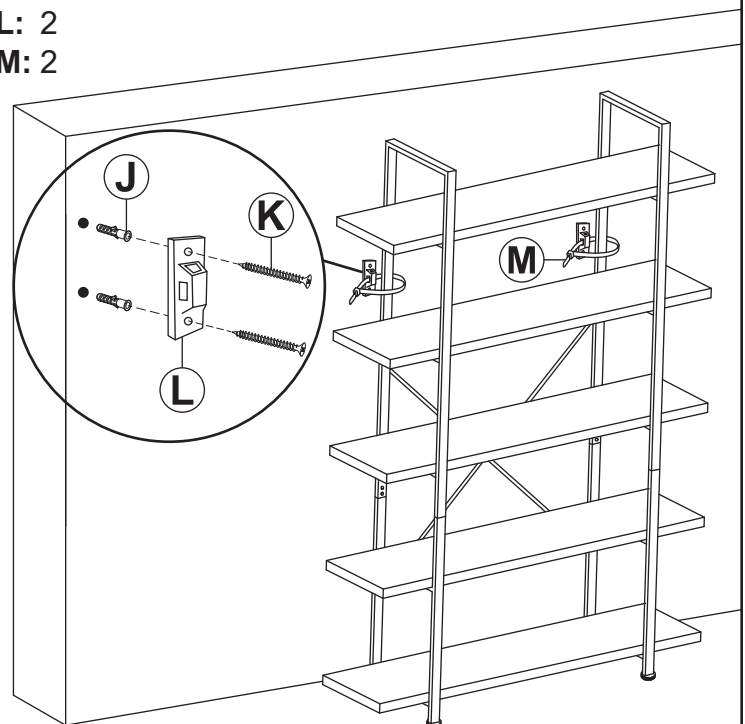
A: 5
G: 20



Tighten all fittings; do not over-tighten.

STEP 4

J: 4
K: 4
L: 2
M: 2



Care & Maintenance



To clean the shelving, a feather duster or a dry, soft cloth is recommended.



Remove stains with a slightly damp cloth and mild soap. Dry with a soft cloth to prevent water damage.



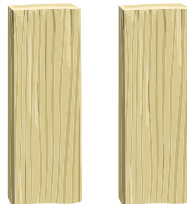
Do not clean shelving with harsh cleansers or polish.



Do not put hot items or any liquids directly on the furniture surface.



Do not climb or sit on the shelving unit as it may tip over and cause serious injury.



This shelving system is meant for drywall/stud mounting. If walls are concrete, brick or plaster, consult a professional.

! SAFETY STATEMENTS & WARNINGS !

- Residential use only. Not for commercial or industrial use.
- Indoor use only. Do not use outdoors.
- Ensure fittings are tight before use. Periodically check fitting to ensure they remain tight.
- Only use this shelving unit on a flat, level surface.
- Do not climb on or sit on the shelves.
- Supervise children; never allow children to climb or sit on this unit as it may tip over and cause serious injury.
- Do not place liquids or hot items on the shelves.
- Never use chemical cleaning products or polishes as they may damage the finish.
- Do not overload the shelves as doing so may cause the shelves to sag.
- Always place the heaviest items on the bottom shelf. Uneven weight distribution may cause the stand to tip over.
- Do not place the unit in direct sunlight.
- Do not place near heating or cooling vents.
- Do not write on furniture without a padded barrier to protect the surface.

Any modification to the product or failure to follow recommended care will void the product warranty.

! NOTICE:

Manufacturer and seller expressly disclaim any and all liability from personal injury, property damage or loss, whether direct or indirect, or incidental, resulting from the incorrect attachment, improper use, inadequate maintenance, or neglect of this product.