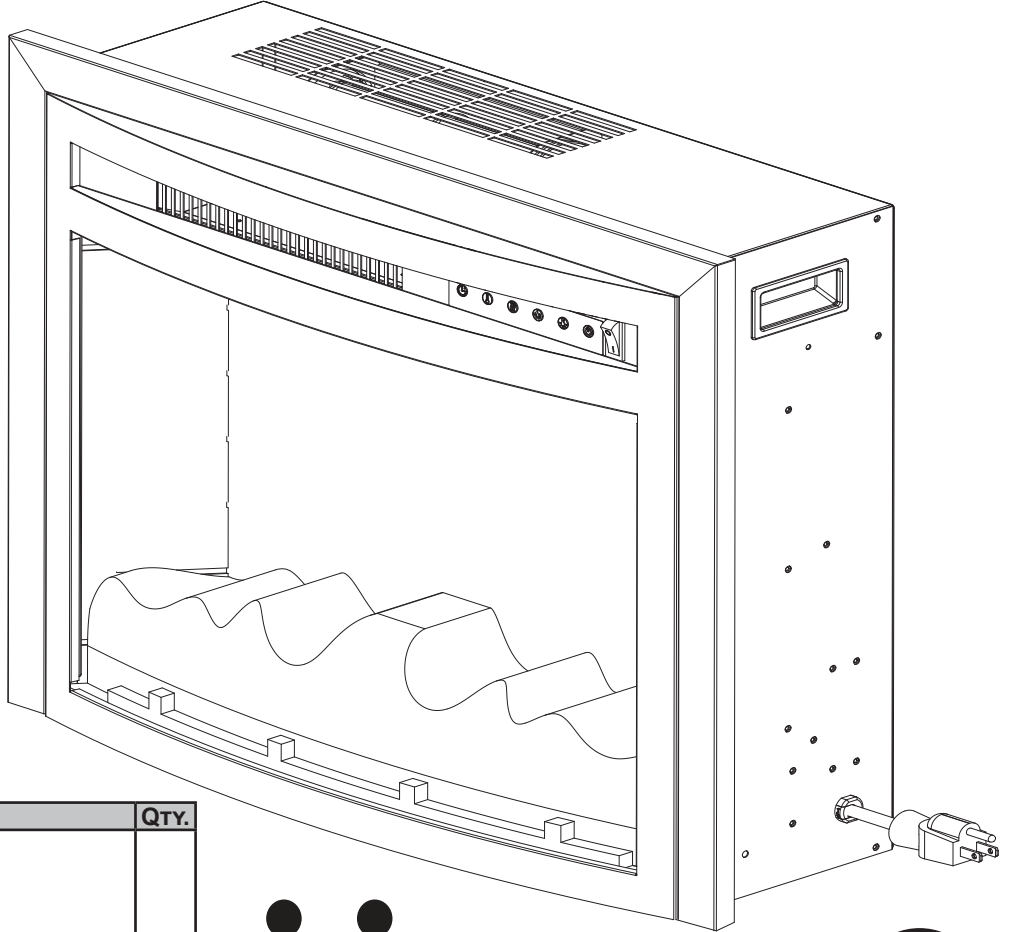


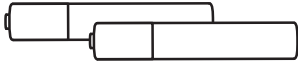
ELECTRIC FIREPLACE INSERT

WARNING

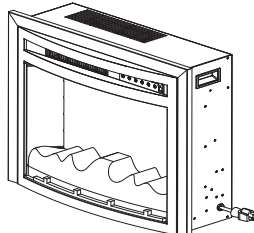

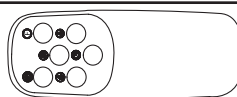
Read and understand this entire manual, including all safety information, before plugging in or using this product. Failure to do so could result in fire, electric shock, or serious personal injury.

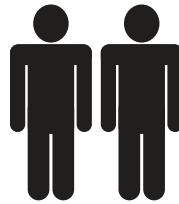


REMOTE CONTROL REQUIRES
(2) 'AAA' BATTERIES
(BATTERIES NOT INCLUDED)



Inspect packaging to ensure all parts are accounted for before disposing of packing materials.

| NO. | PARTS | QTY. |
|-----|--|------|
| A |  Fireplace | 1 |
| B |  M4 x 12mm Wood Screw | 5 |
| E |  Remote Control | 1 |



2-PERSON
INSTALLATION



WARNING

CHOKING HAZARD — This item contains small parts that can be swallowed. Keep children away during assembly.

WARNING!

Manufacturer and seller expressly disclaim any and all liability from personal injury, property damage or loss, whether direct or indirect, or incidental, resulting from the incorrect attachment, improper use, inadequate maintenance, or neglect of this product.

⚠ IMPORTANT SAFETY INFORMATION ⚠

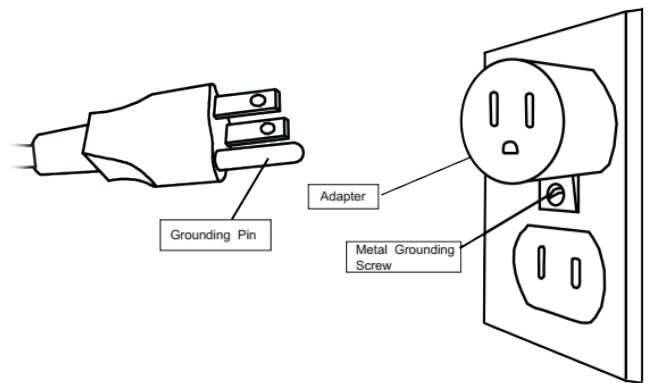
⚠ WARNING ⚠

Read all instructions before using this heater!

- This heater is **hot when in use**. To avoid burns, **DO NOT** touch hot surfaces.
- Keep combustible materials, such as furniture, pillows, bedding, papers, clothes, and curtains at least 3 feet (0.9m) from all sides of the heater.
- If provided, use handles when moving the heater.
- **Extreme caution** is necessary when any heater is used. **NEVER** leave the unit unattended while heater is in use.
- Ensure adequate **safety measures are incorporated to protect infants/toddlers** from touching hot surfaces.
- **DO NOT operate any heater if the cord is damaged**, the heater malfunctions, has been dropped, or damaged in any manner. Discard heater or have it serviced by a certified professional.
- **DO NOT** run the power cord under carpeting, throw rugs, runners, or similar floor coverings. **DO NOT** route the power cord under furniture or appliances. Arrange power cord away from traffic area, and where it will not be tripped over.
- **Connect to properly grounded outlet ONLY.**
- **DO NOT insert or allow foreign objects to enter any ventilation or exhaust opening**, as this may damage the heater, cause electric shock or fire.
- **DO NOT** block air intakes or exhaust in any manner as doing so could cause a fire.
- **DO NOT** use on soft surfaces, like a bed, where openings may become blocked.
- **A heater has arcing or sparking parts inside and becomes HOT. DO NOT** use it in areas where gasoline, paint, or any flammable liquids are used or stored or where flammable vapors are present.
- **Only use this heater as described in this manual. Any other use may cause fire, electric shock, personal injury or death.**
- **ALWAYS plug heaters directly into a wall outlet/receptacle. NEVER** use this unit with an extension cord or relocatable power tap (power strip).
- **DO NOT install the heater near a bed**, objects such as pillows or blankets can fall off the bed and be ignited by the heater.
- **NEVER use this heater in bathrooms, laundry rooms**, or any other location where the heater could come in contact with water or be exposed to high moisture.
- **AVOID FIRE!** It is imperative that the control compartments, circulating blower, and its passageway in the fireplace is kept clean. Regularly inspect all air vents to make sure they are free from dust, lint, or other blockages. **Unplug the unit and clean with a vacuum ONLY. DO NOT** rinse or get wet.
- **NEVER** hang this unit on a wall directly below an electrical outlet.
- **Ensure clearances to combustibles are maintained** when building a mantel or shelves near the fireplace. Elevated temperatures on the wall or in the air around the fireplace can cause melting, discoloration or damage to decorations, a TV or other electronic components.
- **ALWAYS** mount onto the wall bracket before use. **DO NOT** set this unit on the floor or any other surfaces to use.
- **NEVER** use a wall mount bracket from another manufacturer.

⚠ WARNING ⚠

- Do not install the fireplace against a vapor barrier or exposed insulation.
- **For residential use only! NOT for commercial use!** Any commercial or public use of this heater voids all warranties and could cause injury.
- **This product is not intended to be a primary heat source.** It is for supplemental heat only.
- **INDOOR use only! NEVER** use this heater outdoors! Doing so may result in electric shock!
- **DO NOT OPEN! Risk of electric shock!** No user-serviceable parts inside!
- **NEVER modify this heater.** Doing so could result in personal injury or property damage. Modification of this fireplace completely voids all warranties.
- **ALWAYS** turn this heater off before unplugging it from the outlet.
- **ALWAYS** disconnect this unit from the power supply before performing any assembly or cleaning, or before relocating the electric fireplace.
- **NEVER** leave this heater unattended. **ALWAYS** unplug this heater when it is not in use.
- **ALWAYS** store this heater in a dry location. **NEVER** use the fireplace in a location where it may become wet.
- **NEVER** plug this heater into an outlet that is old, cracked, or has any loose wires or connections. Plugging this heater into a faulty outlet could result in **electric arcing** within the outlet that could cause the outlet to overheat or catch fire.
- **ALWAYS** check your heater cord and plug connections with each use!
 - i) **MAKE SURE** the plug fits tightly in the outlet! Faulty wall outlet connections or loose plugs can cause the outlet to overheat.
 - ii) **Heaters draw more current** than small appliances. **Overheating** may occur even if it has not occurred with the use of other appliances.
 - iii) During use, frequently check to see if the plug outlet or faceplate is **HOT!**
 - iv) If the outlet or faceplate is **HOT, discontinue use immediately** and have a qualified electrician inspect and/or replace the faulty outlets.
- The power cord supplied with the heater has a plug with two flat blades (live and neutral) and one round pin (ground). If a 3-slot receptacle is not available, an adapter **MUST** be used. The adapter **MUST** be **properly grounded** to the outlet box (see figure at right).
- **NOTE: Adapter NOT INCLUDED.**
- Under no circumstances should this fireplace be modified.



Any modification to the product or failure to follow recommended care will void the product warranty.


⚠ WARNING!

Manufacturer and seller expressly disclaim any and all liability from personal injury, property damage or loss, whether direct or indirect, or incidental, resulting from the incorrect attachment, improper use, inadequate maintenance, or neglect of this product.

Preparation

 **This product includes a GLASS panel! Always use extreme caution when handling glass. Failure to do so could result in personal injury or property damage.**

Remove all parts and hardware from the carton and place them on a clean, soft, dry surface. Parts and assembly steps are grouped for free-standing or wall-hanging use. Check the parts list to make sure nothing is missing. Dispose of packaging materials properly. Please recycle whenever possible.

 Before installation, plug the unit into a properly grounded outlet to ensure the unit works properly. This will avoid the need to remove the insert after installation.

Tools needed for installation (not included): Phillips screwdriver, tape measure, power drill

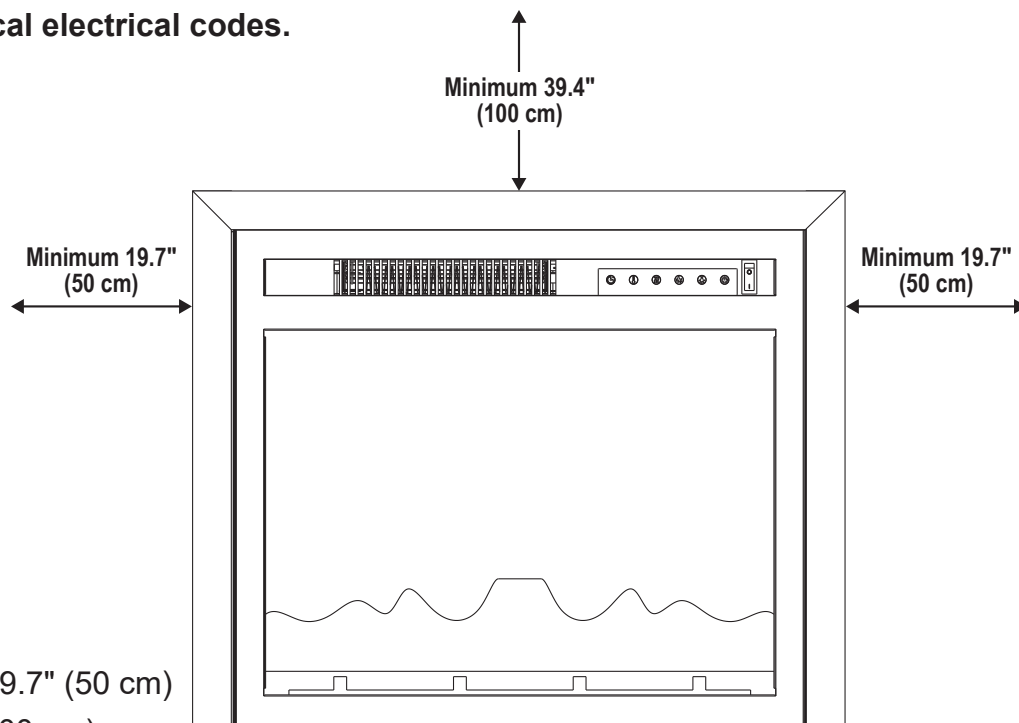
WARNING

When using paint or lacquer to finish the mantel, the paint or lacquer must be heat resistant to prevent discoloration.

This electric fireplace is designed for installation into an existing firebox. Ensure the existing firebox opening is not susceptible to moisture and is away from drapes, furniture and high traffic areas.

This unit may be installed into a firebox from front to back, or back to front.

NOTE: Follow all National and local electrical codes.



 **Ensure safe clearance:**

Minimum clearance on each side: 19.7" (50 cm)

Minimum clearance above: 39.4" (100 cm)

Minimum clearance from the front: 36" (92 cm)

Ensure a properly grounded outlet is within proximity of the unit. Do not use an extension cord.

DO NOT position the unit directly below a power outlet.

See Important Safety Information on pages 2 and 3 for warnings about safe placement, safe installation, and proper use of this product.

Installation and Assembly

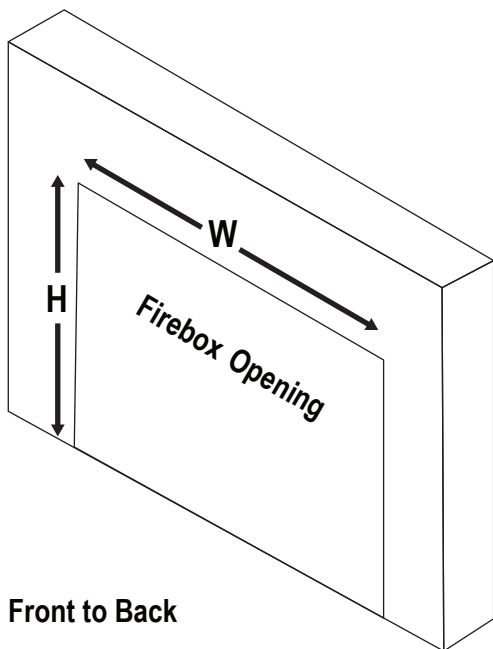
NOTICE

Before installation, plug the unit into a properly grounded outlet to ensure the unit works properly. This will avoid the need to remove the insert after installation.

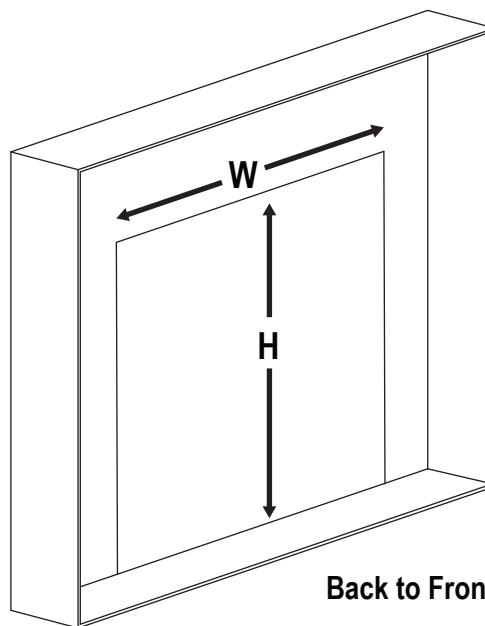
This electric fireplace is designed for installation into an existing firebox. Ensure the existing firebox opening is not susceptible to moisture and is away from drapes, furniture and high traffic areas.

This unit may be installed into a firebox from front to back, or back to front.

NOTE: Follow all National and local electrical codes.



Front to Back



Back to Front

FIREBOX/FRAMING SIZE

| MODEL NUMBER | FRONT TO BACK | | BACK TO FRONT | |
|--------------|------------------|------------------|------------------|------------------|
| | WIDTH | HEIGHT | WIDTH | HEIGHT |
| LOE-364, 371 | 21.77" (55.3 cm) | 18.31" (46.5 cm) | 21.02" (53.4 cm) | 17.60" (44.7 cm) |
| LOE-388, 401 | 26.77" (68.0 cm) | 22.32" (56.7 cm) | 26.02" (66.1 cm) | 21.61" (54.9 cm) |
| LOE-418 | 28.78" (73.1 cm) | 23.94" (60.8 cm) | 28.03" (71.2 cm) | 23.23" (59.0 cm) |

⚠ WARNING: Manufacturer and seller expressly disclaim any and all liability from personal injury, property damage or loss, whether direct or indirect, or incidental, resulting from the incorrect attachment, improper use, inadequate maintenance, or neglect of this product.

Installation

It is highly recommended to consult a certified home contractor before installing this appliance on the wall.

⚠️ WARNING: Manufacturer and seller expressly disclaim any and all liability from personal injury, property damage or loss, whether direct or indirect, or incidental, resulting from the incorrect attachment, improper use, inadequate maintenance, or neglect of this product.

⚡ ENSURE the fireplace is unplugged before assembly, installation, cleaning or relocating. Failure to do so could result in electric shock, fire, or personal injury.

FRONT TO BACK

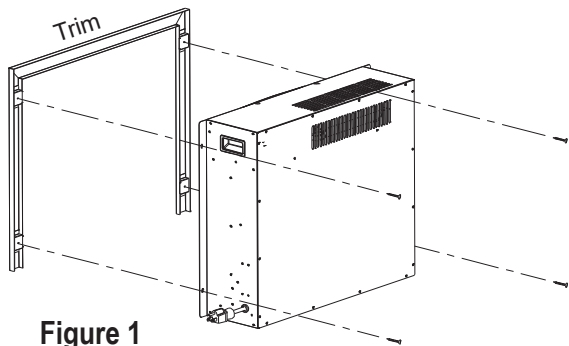


Figure 1

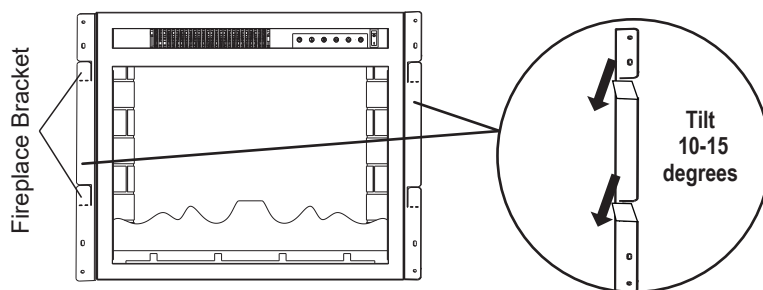


Figure 2

1. Unscrew the 4 screws on the unit to remove the trim, as shown. [Figure 1]
2. Find the fireplace brackets on the sides of fireplace and tilt them 10-15 degrees toward the front. [Figure 2]

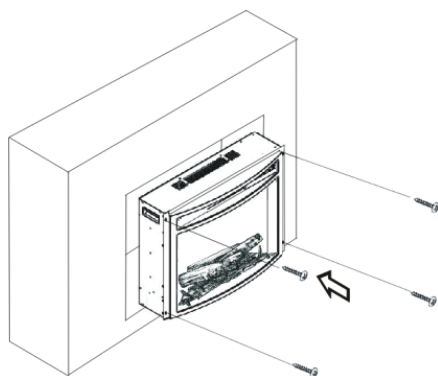


Figure 3

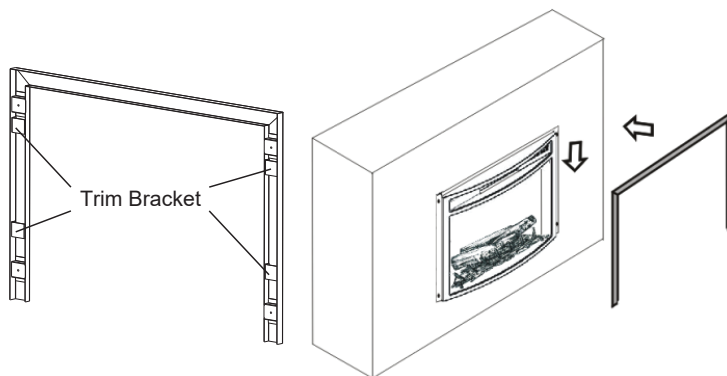


Figure 4

3. Locate the final location of your fireplace. Making sure that you have clear access to an electrical outlet, position the fireplace mantel close to it's final location, leaving enough room to access the front of the mantel. Use (4) M4 x 12mm Wood Screw (B) to affix the fireplace to firebox. [Figure 3]
4. Clip the trim bracket onto the fireplace bracket, ensuring the trim is securely connected. [Figure 4]



Read and understand this entire owner's manual, including all safety information, before plugging in or using this product. Failure to do so could result in electric shock, fire, serious injury, or death.

BACK TO FRONT

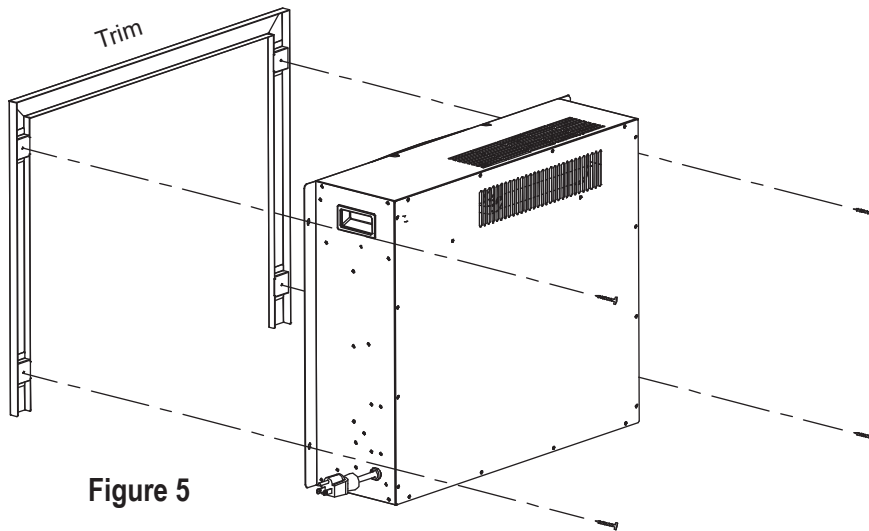


Figure 5

1. Unscrew the 4 screws on the unit to remove the trim, as shown. [Figure 5]
Please keep the trim so that you can use it again in the future.

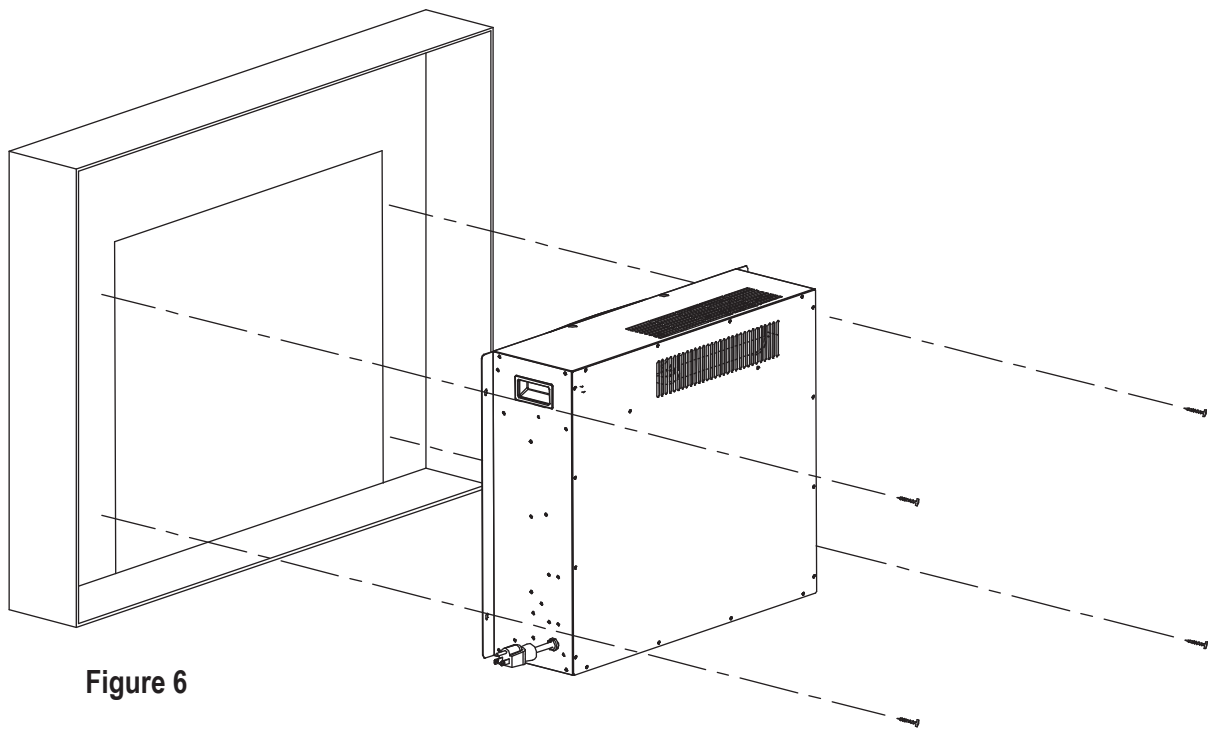


Figure 6

2. Locate the final location of your fireplace. Making sure that you have clear access to an electrical outlet, position the fireplace mantel close to it's final location, leaving enough room to access the front of the mantel. Use (4) M4 x 12mm Wood Screw (B) to affix the fireplace to firebox. [Figure 6]

⚠ WARNING: Manufacturer and seller expressly disclaim any and all liability from personal injury, property damage or loss, whether direct or indirect, or incidental, resulting from the incorrect attachment, improper use, inadequate maintenance, or neglect of this product.

Operation

⚠ WARNING ⚠

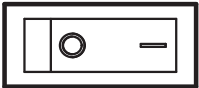
Do not remove the glass panel while the fireplace is plugged in and operating as it will cause the remote control and touch panel to no longer function.

Ensure the circuit breaker(s) for the power supply are turned on.

Once the appliance has been plugged into a properly grounded electrical outlet, it is ready to operate.

NOTE: In the event of a power failure, the appliance will lose its memory function and will reset to factory mode when the power returns.

MASTER SWITCH



The Master Power Switch is located on the front top right side of the appliance.

The master power switch must be turned ON (I) for the unit to operate. The unit will make a short alarm sound to indicate it is ready to use. If no sound is heard, the unit may not be plugged in, the circuit breaker may have tripped, or there is a malfunction.

Turn the master switch OFF (O) to shut off electric supply.

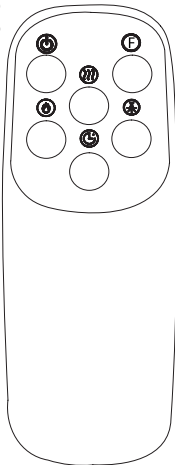
Methods of Operation

This electric fireplace can be operated by the CONTROL PANEL, located on the top right side of the fireplace, or by the battery-powered REMOTE CONTROL (batteries not included).

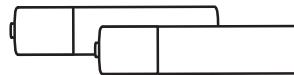
The operation and functions of the two methods are the same.

Before operating, please review the IMPORTANT SAFETY INFORMATION on Pages 2 and 3, and heed all warnings.

REMOTE



REQUIRES (2) 'AAA' BATTERIES
(BATTERIES NOT INCLUDED)



- Remove the battery housing cover from the back of the remote.
- Paying attention to the positive and negative terminals, gently insert two new 'AAA' batteries (not included).
- Replace the battery housing cover.
- **NOTE:** Promptly remove expelled batteries. Do not mix old and new batteries; mixing batteries could cause the acid inside the batteries to leak, damaging the remote.

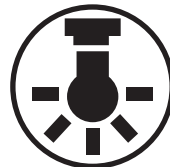
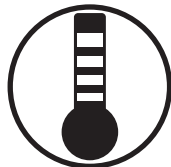
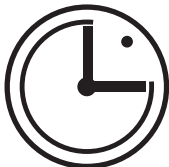
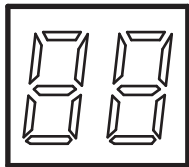
NOTICE








To improve operation, aim the remote control at the front of the fireplace. DO NOT press the buttons too quickly. Give the unit time to respond to each command.



NEVER dispose of batteries in fire. Failure to observe this precaution may result in an explosion. Dispose of batteries at your local hazardous material processing center.

CONTROL PANEL



| BUTTON | FUNCTION | ACTION AND INDICATION |
|---|---|---|
|  MASTER SWITCH | ON (I) Enables all functions. OFF (O) All functions on the control panel and remote control are disabled. | 1. Press ON (I). Power turns on. All functions are enabled. 2. Press OFF (O). Power, flame effect, and all functions turn off. |
|  POWER | ON: Enables control panel and remote control function. Turns on the flame effect. OFF: Disables control panel and remote control function. Turns off the flame effect. | 1. Press once. Indicator light turns on. Power turns on. All functions are enabled. 2. Press again, power and all functions turn off. Unit goes to standby. |
|  COLOR | COLOR button: Changes the color flame effect. 9 color settings: C1, C2, C3....C9 | 1. Press once to change the color flame effect. 2. Press again until desired setting is reached. |
|  FLAME | FLAME button: Makes flame effect brighter and dimmer. NOTE: Flame effect stays on until power button is turned off. Flame effect must be on for the heater to turn on. 5 brightness settings: L1, L2, L3....L5 | 1. Press once to change flame color brightness. 2. Press again until desired setting is reached; L1 is dimmest, L5 is brightest. |
|  HEATER | HEATER button: Turns heater on and off. NOTE: To prevent overheating, the heater fan will blow out cool air for 30 seconds after the heater turn off. 00, LL, HH will show on the display. | 1. Press button, LL (low heat) about 750W. 2. Press button, HH (high heat) about 1500W. 3. Press button, 00, heat function is off. |
|  TEMPERATURE | TEMPERATURE button: Changes the temperature setting. Setting ranges from 62°F to 82°F 62, 63, 64....82 will show on the display. | Press button until desired setting is reached. LED display shows selected setting. Once the desired temperature is reached, the heater will stop heating the room. Heat will automatically turn back on when room temperature falls below the set temperature. |
|  TIMER | TIMER button: Controls the timer settings to automatically turn the fireplace off. Settings range from 1 hour to 8 hours. 0H, 1H, 2H....8H will show on the display. | Press button until desired setting is reached. LED display will show the setting. When time reaches the selected setting, the unit will automatically turn off. 0H disables the timer function. |

NOTICE

When the heater is first turned on, a slight odor may be present. This is normal and should not occur again unless the heater is not used for a long period of time.

WARNING: Do not move or remove the glass panel when the appliance is plugged in and operating as it will cause the remote control and touch panel to no longer function.

Temperature Limiting Control

This heater is equipped with a Temperature Limiting Control. Should the heater reach an unsafe temperature, the heater will automatically turn OFF.

To reset:

1. Turn the Master Switch OFF (O).
2. Unplug the power cord from the outlet.
3. Wait for at least 15 seconds to 1 minute before plugging the unit back in.
4. Turn the Master Switch ON (I) and press the power button to restart the unit.
5. If the unit does not power on, allow the unit to thoroughly cool down and inspect the fireplace to make sure no vents are blocked, or clogged with dust or lint. If they are, use a vacuum to clean the vent areas.
6. If the problem continues, have your outlet and wiring inspected by a professional.

Cleaning



ALWAYS turn the heater OFF and unplug the power cord from the outlet before cleaning, performing maintenance, or moving this fireplace. Failure to do so could result in electric shock, fire, or personal injury.

NEVER immerse in water or spray with water or cleaning solutions. Doing so could result in electric shock, fire, or personal injury.



DO NOT CLEAN WHILE THE UNIT IS HOT! Wait at least 45 minutes after the unit is powered off before attempting to clean. If the unit still feels hot, wait until it is completely cooled.

Metal:

- Dust using a soft cloth. Clean with a slightly damp cloth or duster. Dry thoroughly with a paper towel or a soft, lint-free cloth.
- **DO NOT** use brass polish or household cleaners as these products will damage the metal trim.

Glass:

- Use a good quality glass cleaner sprayed onto a cloth or towel to clean the glass. Dry thoroughly with a paper towel or a soft, lint-free cloth.
- **NEVER** use abrasive cleansers, liquid sprays, or any cleaner or cloth that could scratch the surface.

Vents:

- Use a vacuum or duster to remove dust and dirt from the heater and vent areas.
- Clean the exterior of the fireplace with a slightly damp cloth or duster.

Maintenance



Risk of electric shock! DO NOT OPEN! No user-serviceable parts inside!

ALWAYS turn the heater **OFF** and unplug the power cord from the outlet before cleaning, performing maintenance, or moving this fireplace. Failure to do so could result in electric shock, fire, or personal injury.

Electrical and Moving Parts:

- The fan motors are lubricated at the factory and will not require lubrication.
- Electrical components are integrated in the fireplace and are not serviceable by the consumer.

Storage:

- Store heater in a clean dry place when not in use.

! WARNING: No other servicing should be performed by the consumer. Do not service the unit yourself.

NOTICE

Keep this owner's manual for future reference. If you sell or give this product away, make sure this manual accompanies this product.

! WARNING!

Manufacturer and seller expressly disclaim any and all liability from personal injury, property damage or loss, whether direct or indirect, or incidental, resulting from the incorrect attachment, improper use, inadequate maintenance, or neglect of this product.