



Thank you for choosing Sunnydaze Decor. We stand behind our brand and the quality of the items we sell. Replacement parts or products will be sent at our discretion within the 1-year warranty period. Proof of purchase, with the date of purchase as well as photos of the merchandise defect, must be provided. Photos are used to determine the cause of defects and for future quality control. Register your warranty at <https://tiny.cc/SunnydazeWarranty>. If you have any questions, comments or concerns, feel free to contact us by phone at 833-982-1977, by email: customerservice@sunnydazedecor.com, or via our contact us page at <https://tiny.cc/SunnydazeContact>

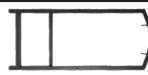

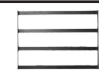

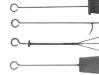
5-PIECE FIREPLACE LOG HOLDER AND TOOL SET

GWC-470


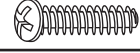
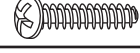


Review all assembly and care instructions carefully before using this product. Save this manual for future reference.
Assemble components on a soft, clean surface to avoid damaging the finish.



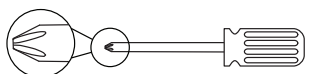
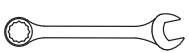
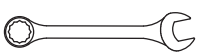
 **Inspect packaging to ensure all parts are accounted for before disposing of packing materials.**
 Save the packing slip.

No.	PARTS	QTY.
A	 Side Panel (L/R)	2
B	 Bottom Bar	2
C	 Grille Panel	1
D	 Bottom Panel	1
E	 Tool Set	4PC

33 pounds
14.9 kg
 Weight Capacity per Shelf

No.	HARDWARE	QTY.
1	 M6x40mm Bolt	4
2	 M6x30mm Bolt	4
3	 M5x30mm Bolt	4
4	 M6 Nut	4
5	 M5 Nut	4

NOTE: To prevent hardware from being lost during shipping, some hardware is loosely installed into part mounting holes.

TOOLS REQUIRED (not included)		
		
Phillips Screwdriver	8mm Wrench	10mm Wrench

! WARNING !
CHOKING HAZARD — This item contains small parts that can be swallowed. Keep children and pets away during assembly.

! HELPFUL HINTS

Sunnydaze Decor advises reading this manual thoroughly and assembling the item soon after purchase. Do not fully tighten hardware until the entire unit is loosely assembled. If the hardware is tightened too soon, mounting holes may not align, and parts may not easily fit together.

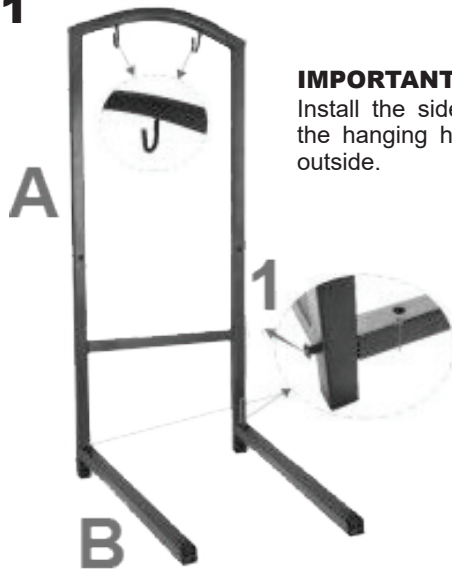
ASSEMBLY

Review all steps and understand assembly before beginning.

Do not fully tighten hardware until all components have been loosely assembled.

STEP 1

A: 1
B: 2
1: 2

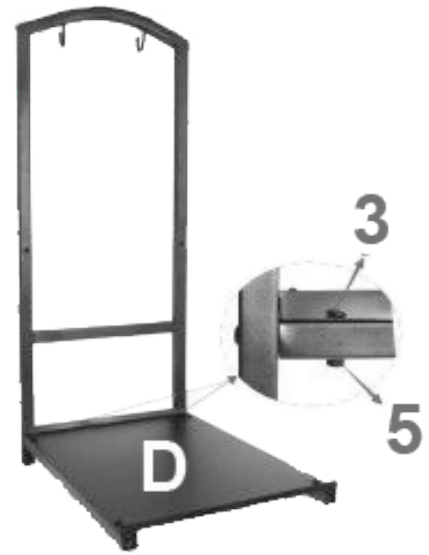


- Remove one M6x40mm Bolt (1) from the one end of each Bottom Bar (B).
- Align Bottom Bar (B) with bottom of Side Panel (A). Loosely secure by hand-tighten M6x40mm Bolt (1).
- Repeat to loosely fasten the remaining bottom bar to the opposite side.

Do not fully tighten any bolts until after Step 4 is complete.

STEP 2

D: 1
3: 4
5: 4



- Remove M5x30mm Bolts (1) and M5 Nut (3) from the bottom bars.
- With the ledge facing upward and flush with the side panel, secure Bottom Panel (D) to the bottom bars using four M5x30mm Bolts (3) and four M5 Nuts (5).

Do not fully tighten any bolts until after Step 4 is complete.

STEP 3

C: 1
2: 2
4: 2



- Fasten Grille Panel (C) to the side panel by hand-tightening two M6x30mm Bolts (2) and two M6 Nuts (4).

Do not fully tighten any bolts until after Step 4 is complete.

STEP 4

A: 1
1: 2
2: 2
4: 2



IMPORTANT:
Install the side panel with the hanging hooks on the outside.

- Repeat steps 1 and 3 to connect remaining Side Panel (A).

Tighten all bolts after this step is complete.

Care & Maintenance

SAFE USE: Only use on a flat, level surface. Do not stand or sit on the log rack.

GENERAL USE & CARE: Recommended for indoor use only. Manufacturer and seller are not liable for any damage resulting from exposure to outdoor elements. Damage from outdoor use and/or normal wear and tear is not covered by the 1-year product warranty.

INSPECT: Periodically check assembly points and tighten fittings as necessary.

CLEANING: Use a damp cloth to clean. Do not use abrasive cleaners as doing so may cause parts to tarnish or rust.

SAFETY STATEMENTS & WARNINGS

- Do not exceed the weight capacity of the log rack.
- Supervise children at all times; do not allow children to play on or play with any part of this product.
- Firmly secure all hardware before use.
- Inspect hardware often and tighten as necessary.
- Do not use the brush to sweep live coals (embers).
- Do not use harsh chemicals or abrasive materials to clean this unit.
- This product is for residential use only.

Any modification to the product or failure to follow recommended care will void the product warranty.

If you experience issues with assembly or the product was damaged during shipping, please contact our customer service team through one of the methods mentioned at the top of page 1.

Please have the item number and order information ready to expedite response time.

WARNING!

Manufacturer and seller expressly disclaim any and all liability from personal injury, property damage or loss, whether direct or indirect, or incidental, resulting from the incorrect attachment, improper use, inadequate maintenance, or neglect of this product.