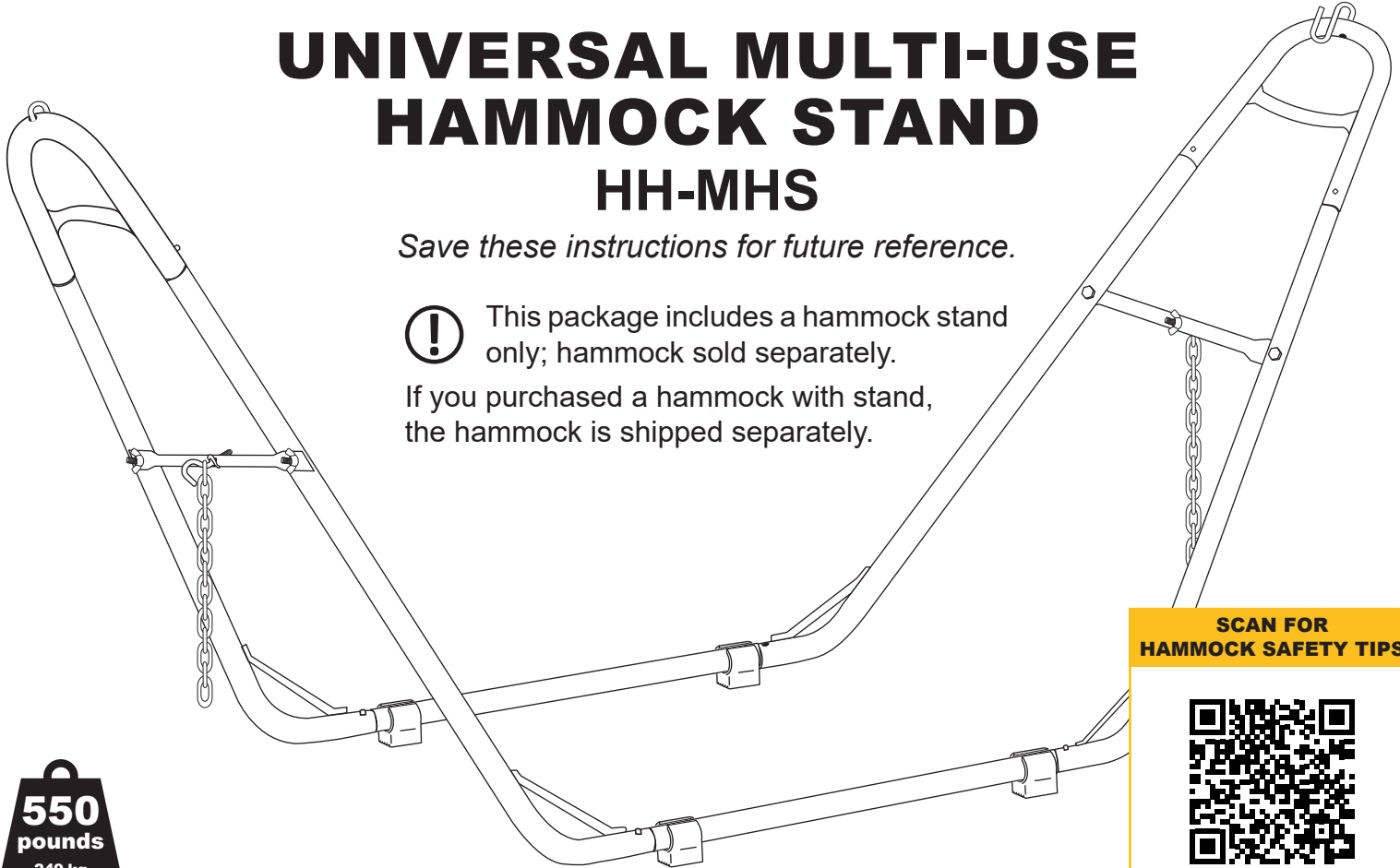


UNIVERSAL MULTI-USE HAMMOCK STAND

HH-MHS

Save these instructions for future reference.

! This package includes a hammock stand only; hammock sold separately.
If you purchased a hammock with stand, the hammock is shipped separately.



550
pounds
249 kg
Weight Capacity

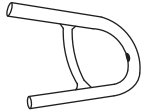

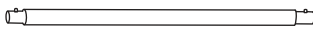






SCAN FOR
HAMMOCK SAFETY TIPS



<https://tiny.cc/hammock-safety>



WARNING: Failure to read and follow instructions and safety warnings could result in serious injury or damage to property.

PARTS		QTY.
	Top Frame	2
	Curved Bar	4
	Base Bar	2
	Support Crossbar	2
	Plastic Foot	4
	M8 x 60mm Bolt Set	4
	M8 Hook Set	2
	S-Hook	2
	Chain	2



Inspect packaging to ensure all parts are accounted for before disposing of packing materials.



CHOKING HAZARD — This item contains small parts that can be swallowed. Keep children away during assembly.



CAUTION



This hammock stand is not designed for use as a swing. Bouncing, swinging, or any other significant movement while in use may result in serious injury.

This stand must be used on a level, stable surface. Make sure all connection points are fully engaged, and all hardware is securely tightened before every use.

ASSEMBLY

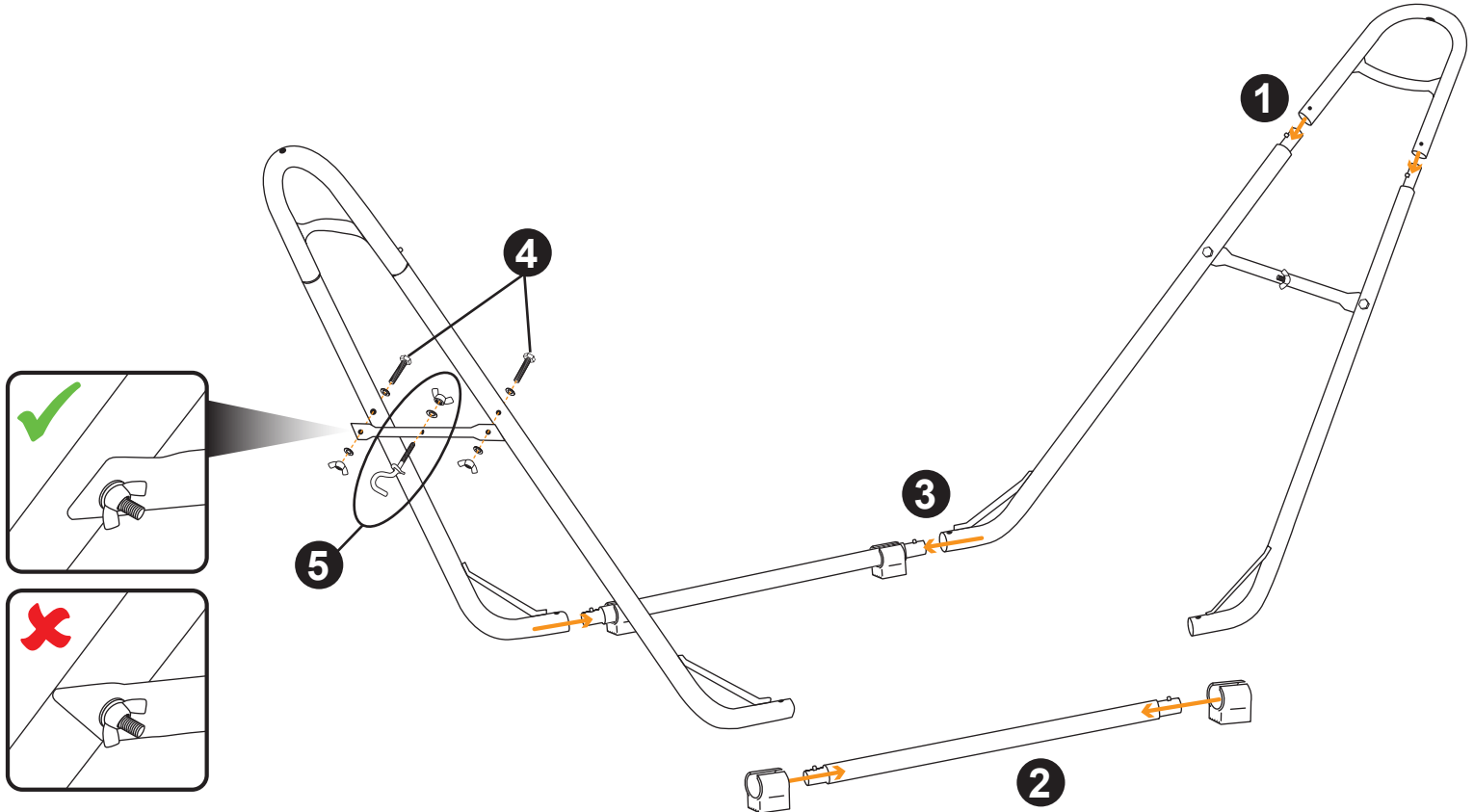
! Carefully read all assembly steps, care instructions, and safety information before using this product. **!**

Save these instructions for future reference.

Assemble components on a soft, clean surface to avoid scratching/damaging the finish.

When choosing a location for your hammock stand, select a smooth, level surface.

Do not install on dangerous terrain or objects such as slopes, rocks, or in bodies of water.



After completing each step, repeat the step for the opposite side of the hammock stand.

1. Connect the Top Frame to the Curved Bars, as shown.
2. Next, slide two Plastic Feet onto the Base Bar.
3. Connect the Base Bars to the Curved Bars.
4. Paying close attention to the shape of the support crossbars, connect the Support Crossbars to the Diagonal Bars using the M8 x 60mm Bolt Set.
5. Ensuring the hook is facing down, attach the Hook Bolt to the center of the Crossbar, as shown.

BEFORE USE

- Ensure all snap-buttons are fully engaged into the mounting holes, and all hardware is securely fastened.
- Ensure feet are evenly distributed.
- Only use on a flat, level surface.



WARNING: Do not use if parts are missing, worn, or damaged.



WARNING: Never leave a hammock hanging on this stand while it is not in use.



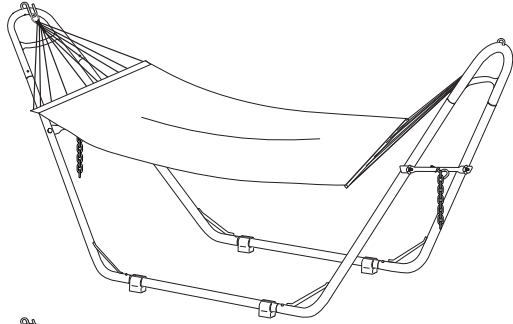
WARNING: Do not allow children to use this product without constant adult supervision.



WARNING: Always keep weight centered over the base bars when using this product.

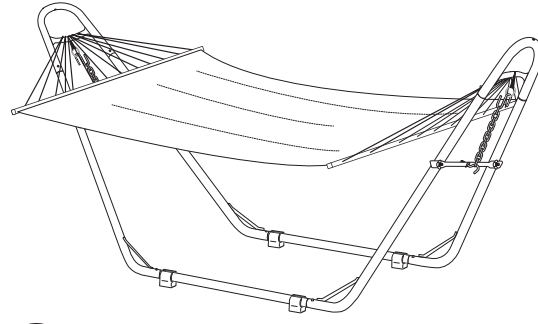
HANGING YOUR HAMMOCK (hammock not included)

! IMPORTANT: To prevent tipping, always leave slack in the fabric when hanging hammocks. Adjust hammock height so the user can get in and out of the hammock safely. Always enter and exit hammocks slowly; moving too quickly can cause the hammock and/or stand to tip over.



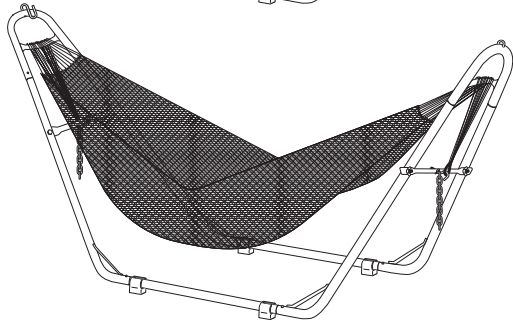
SHORT

Hang shorter hammocks on the top supports using the S-hooks.



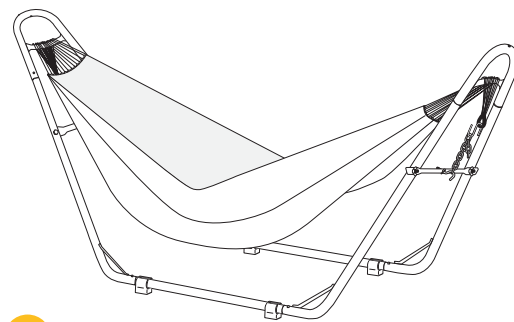
STANDARD

Hang standard-sized hammocks over the top frame crossbars. Use the S-hooks and chains to adjust the hammock height as needed.



LONG

Drape the ropes of long hammocks over the top frame crossbars and secure the ends to the hook bolts.



BRAZILIAN

Hang Brazilian hammocks over the top frame crossbars. Use the S-hook and chain to adjust the hammock height as needed.

GENERAL USE & CARE

- **SAFE USE:** Follow all safety statements and warnings. Always move slowly when getting in and out of any hammock. This stand could cause serious injury including, but not limited to, the stand tipping over or collapsing if user(s) stand up in, swing, bounce, jump, or perform any other excessive movement while using a hammock.
- **CHILDREN:** This stand is only to be used by adults and person(s) with developed motor skills who also understand the potential dangers if misused. Supervise children at all times. Never allow small or young children to enter or exit a hammock without adult assistance. Never allow or encourage children to sleep or play in a hammock. Always teach and practice safe hammock use, with and without a hammock stand.
- **STORAGE:** Limit exposure to precipitation and high moisture as it may cause the non-coated surfaces to rust. Cover or store indoors when the stand is not in use. Store in a cool, dry location.
- **INSPECTION:** Ensure the stand is assembled correctly and the hardware is securely tightened before every use. Do not use the stand if parts are missing, broken, damaged, or worn. Additionally, always inspect your hammock before every use.
- **CLEANING:** Wipe surfaces with a soft cloth and warm water. Dry the stand after cleaning to prevent rust.
- **SCRATCHES:** The powder coating on the stand is tough and durable, but even under normal use, some scratching is inevitable. To avoid excessive rust, wipe scratched areas as needed to remove moisture.

TROUBLESHOOTING

If the stand seems unstable, make sure it is on a level surface and the feet are correctly distributed, as shown in the assembly instructions. Also, ensure that the components are assembled correctly, all snap buttons are engaged with the mounting holes, and the hardware is securely tightened.

Any modification to the product or failure to follow recommended care will void the product warranty.

! WARNING!

Manufacturer and seller expressly disclaim any and all liability from personal injury, property damage or loss, whether direct or indirect, or incidental, resulting from the incorrect attachment, improper use, inadequate maintenance, or neglect of this product.