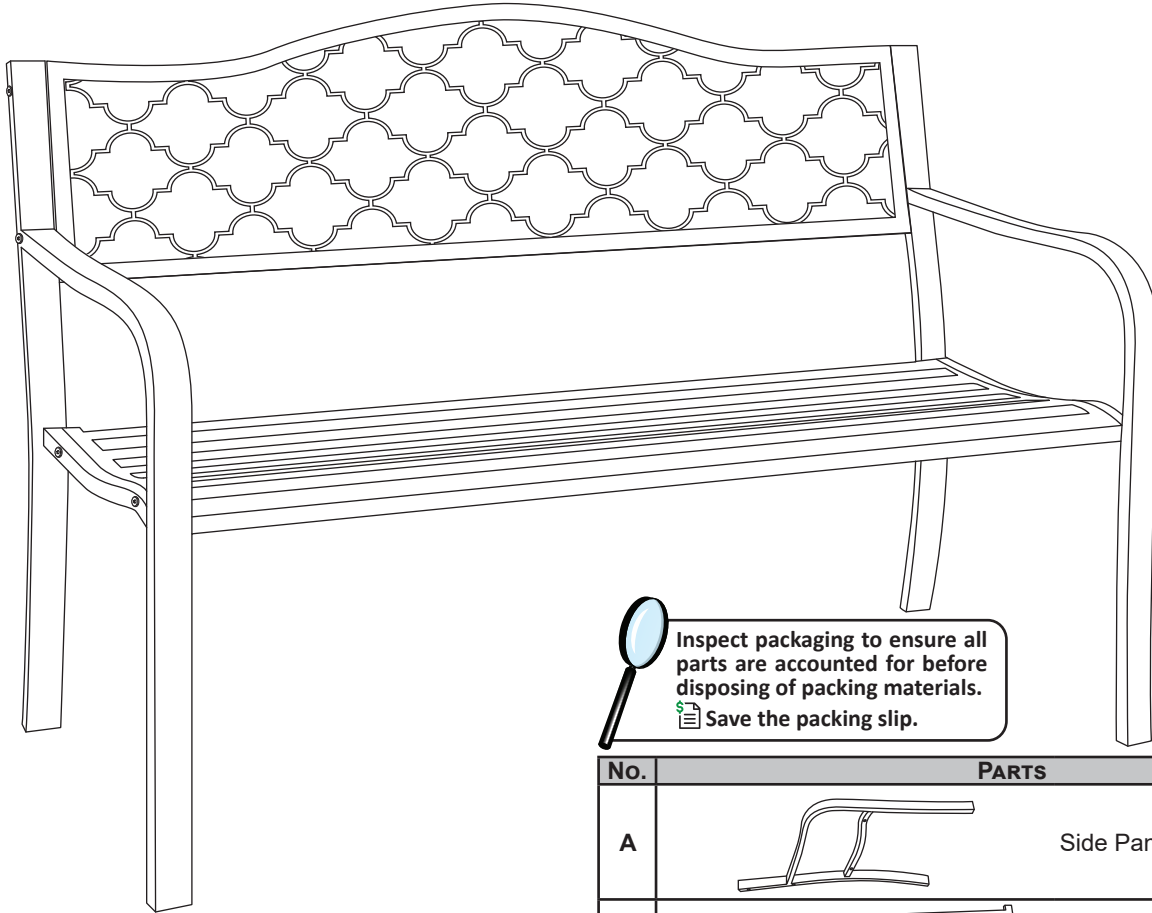




Thank you for choosing Sunnydaze Decor. We stand behind our brand and the quality of the items we sell. Replacement parts or products will be sent at our discretion within the 1-year warranty period. Proof of purchase, with the date of purchase as well as photos of the merchandise defect, must be provided. Photos are used to determine the cause of defects and for future quality control. Register your warranty at <https://tiny.cc/SunnydazeWarranty>. If you have any questions, comments or concerns, feel free to contact us by phone at 833-982-1977, by email: [customerservice@sunnydazedecor.com](mailto:customerservice@sunnydazedecor.com), or via our contact us page at <https://tiny.cc/SunnydazeContact>

# CAST IRON LATTICE PATIO BENCH YUK-747

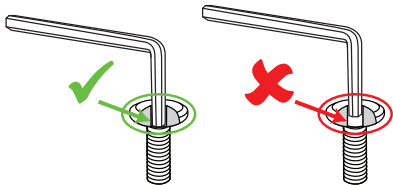
Read all assembly and care instructions carefully before using this product. Save this manual for future reference.  
**Assemble components on a soft, clean surface to avoid damaging the finish.**



 Inspect packaging to ensure all parts are accounted for before disposing of packing materials.  
 Save the packing slip.

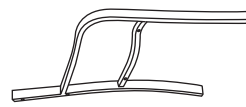
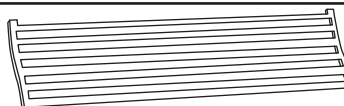
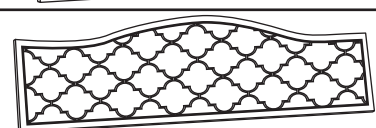
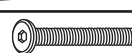
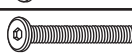



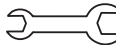
**615**  
pounds  
279 kg  
Weight Capacity

**⚠ WARNING ⚠**  
**CHOKING HAZARD** — This item contains small parts that can be swallowed. Keep children and pets away during assembly.



**TIP:** Always fully insert the hex key inside the designated notch on the bolt head.

If the hex key is not fully inside the notch, the hex key could slip out, causing damage to the bolt head. Repeated hex key slipping will cause the notch to become rounded, making it difficult or impossible to tighten the bolt with the hex key.

No.	PARTS		QTY.
A		Side Panel	2
B		Seat	1
C		Backrest	1
D		M6x50mm Bolt	4
E		M6x55mm Bolt	4
F		Washer	8
G		Nut	4
H		Hex Key	1
I		Spanner	1

**NOTE:** Over time and with use, the bolts may become loose. Save the included tools for tightening loosened hardware.

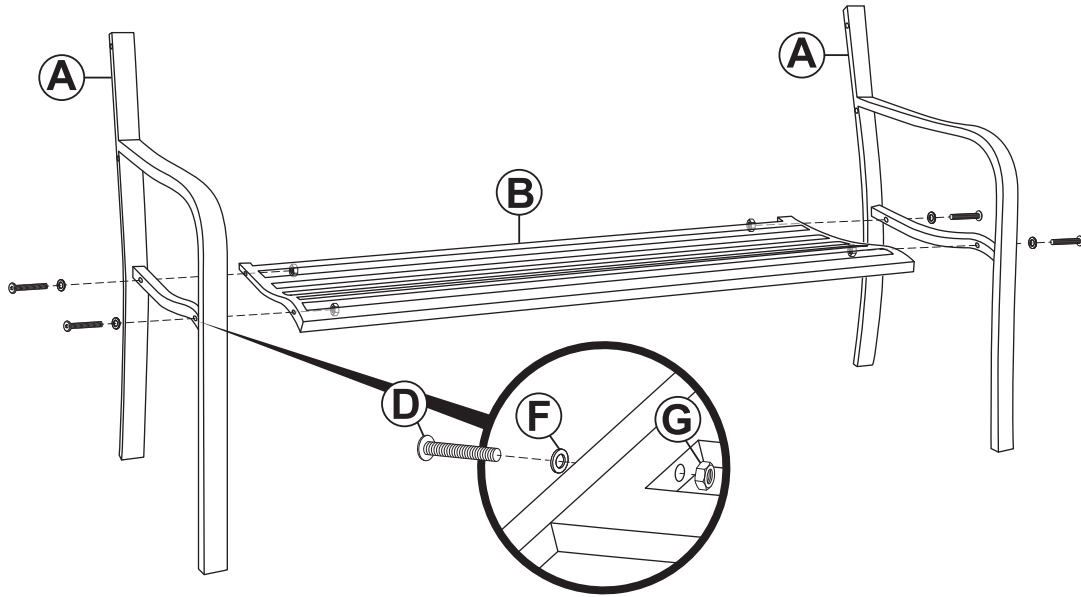
# ASSEMBLY

Review all steps and understand assembly before beginning.

**Do not fully tighten hardware until all components have been loosely assembled.**

## STEP 1

- A: 2
- B: 1
- D: 4
- F: 4
- G: 4

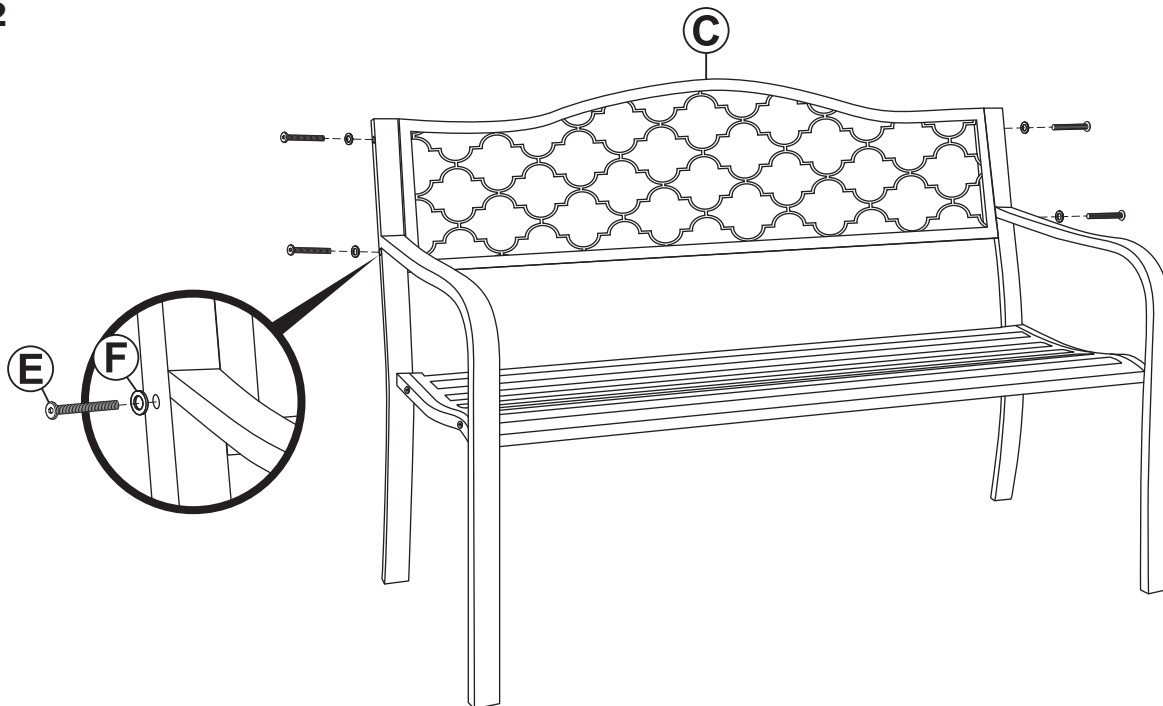


Align one Side Panel (A) with Seat (B) and secure by hand-tightening two M6x50mm Bolts (D), two Washers (F) and two nuts (D). Do not fully tighten hardware until the backrest is secured in the next step.

Repeat this step to secure the remaining side panel to the opposite side of the seat.

## STEP 2

- C: 1
- E: 4
- F: 4
- G: 4



Align Backrest (C) with the top of the side panels and secure using four M6x55mm Bolts (E) and four Washers (F).

Fully tighten all hardware.

# Care & Maintenance

**SAFE USE:** For residential use only. Only use on a flat, level surface.

**INSPECT:** Periodically check assembly points and tighten fittings as necessary.

**COVER:** When not in use, cover furniture with a breathable cover to help protect it from the harmful effects of sunlight, inclement weather, as well as dust build-up, and collecting debris.

**WINTER CARE & STORAGE:** During winter & freezing temperatures, move furniture to a cool, dry indoor location.

**SCRATCHES:** The finish on this product is tough & durable but, even under normal use, some scratching is inevitable. Scratches can be repaired with rust-resistant paint (not included).

**WARNING:** THE ONE-YEAR WARRANTY DOES NOT COVER DAMAGES OR DEFECTS CAUSED BY THE APPLICATION OF CHEMICAL TREATMENTS, PROTECTIVE COATINGS, OR TOUCH-UP PAINT.

## Cleaning

 **HAND-WASH ONLY**

 **DO NOT USE BLEACH**

 **DO NOT USE A PRESSURE WASHER**

Mix warm water with mild detergent. Use a soft cloth to hand-wash the furniture. Thoroughly rinse away all soap residue. To prevent water spotting, dry furniture with a soft, lint-free cloth.

### SAFETY STATEMENTS & WARNINGS

- For residential use only. Not for commercial or industrial use.
- Ensure all fittings are tight before use. Periodically check fittings to ensure they remain tight.
- Only use this unit on a flat, level surface.
- Do not exceed the weight capacity of the furniture.
- Never stand or climb on the unit.
- Never allow children to use this product unsupervised.
- Keep furniture a safe distance from heat sources such as fire pits, patio heaters, and grills.
- Never use chemical cleaning products or polishes as doing so may damage the finish.

**Any modification to the product or failure to follow recommended care will void the product warranty.**

*If you experience issues with assembly or the product was damaged during shipping, please contact our customer service team directly through one of the methods mentioned at the top of page 1.*

*Please have the item number and order information ready to expedite response time.*

### **WARNING:**

**Manufacturer and seller expressly disclaim any and all liability from personal injury, property damage or loss, whether direct or indirect, or incidental, resulting from the incorrect attachment, improper use, inadequate maintenance, or neglect of this product.**