



Thank you for choosing Sunnydaze Decor. We stand behind our brand and the quality of the items we sell. Replacement parts or products will be sent at our discretion within the 1-year warranty period. Proof of purchase, with the date of purchase as well as photos of the merchandise defect, must be provided. Photos are used to determine the cause of defects and for future quality control. Register your warranty at <https://tiny.cc/SunnydazeWarranty>. If you have any questions, comments or concerns, feel free to contact us by phone at 833-982-1977, by email: [customerservice@sunnydazedecor.com](mailto:customerservice@sunnydazedecor.com), or via our contact us page at <https://tiny.cc/SunnydazeContact>

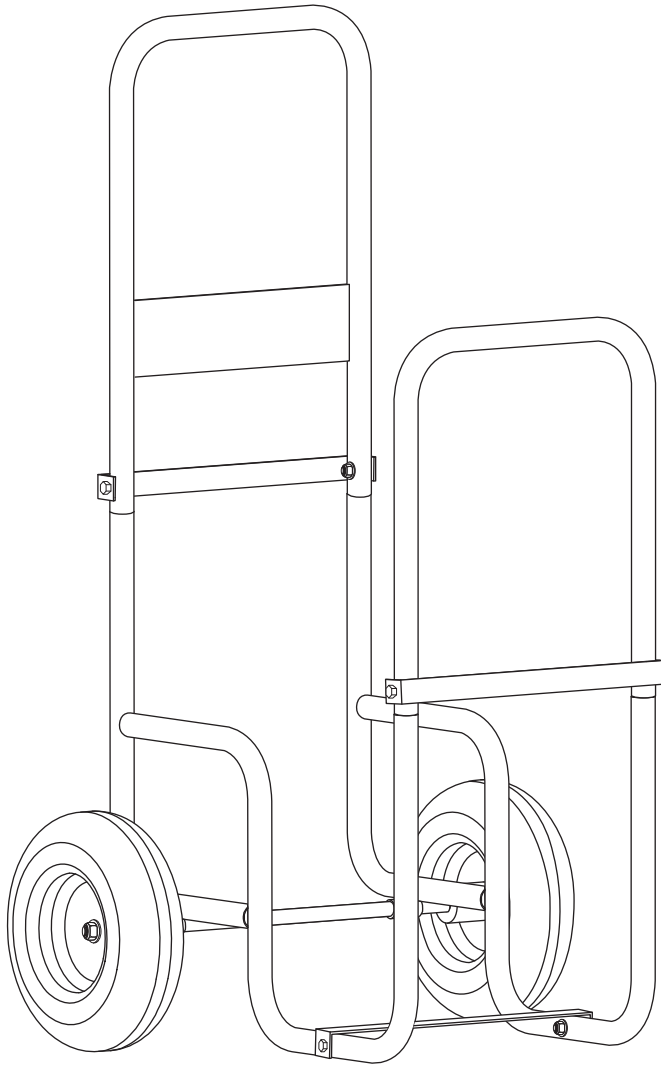
# FIREWOOD LOG CART

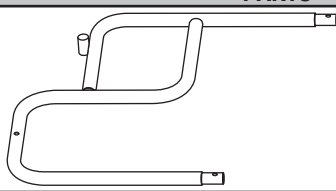
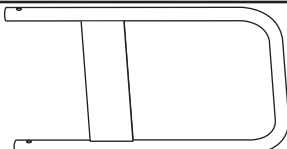
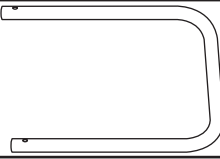


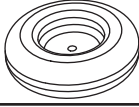





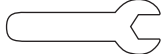
## QX-FLC

Read all assembly and care instructions carefully before using this product. Save this manual for future reference.  
**Assemble components on a soft, clean surface to avoid damaging the finish.**



Inspect packaging to ensure all parts are accounted for before disposing of packing materials.  
 Save the packing slip.



| No. | PARTS  | QTY. |
|-----|--|------|
| A   |  Base Panel      | 2    |
| B   |  Handle         | 1    |
| C   |  Log Retainer  | 1    |
| D   |  Brace        | 3    |
| E   |  Axle          | 1    |
| F   |  Wheel        | 2    |
| G   |  M8x40mm Bolt | 6    |
| H   |  M8 Washer    | 6    |
| I   |  M8 Lock Nut  | 6    |
| J   |  M12 Washer   | 2    |
| K   |  M12 Lock Nut | 2    |
| L   |  Spanner      | 2    |

**⚠ WARNING ⚠**

**CHOKING HAZARD** — This item contains small parts that can be swallowed. Keep children and pets away during assembly.

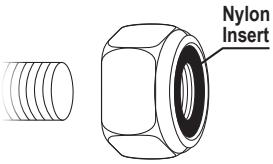
**TOOLS REQUIRED (not included)**



Adjustable Wrench

# ASSEMBLY

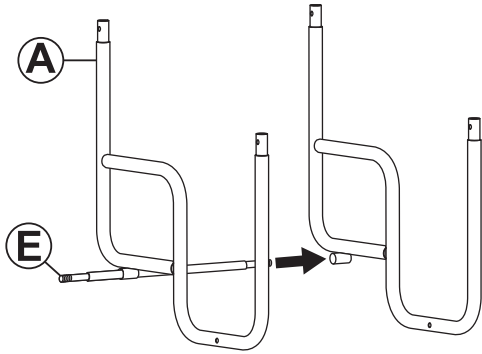
Review all information and understand assembly before beginning.



**! IMPORTANT:** Lock nuts must be installed with the nylon insert on the outside. Tools are required to fully tighten lock nuts, failure to properly tighten the lock nuts may result in product malfunction or personal injury.

## STEP 1

A: 2  
E: 1

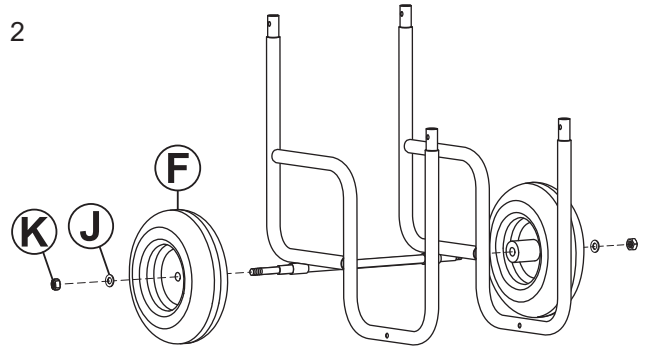


Slide Axle (E) through the holes on the bottom of Base Panels (A).

## STEP 2

F: 2  
J: 2  
K: 2

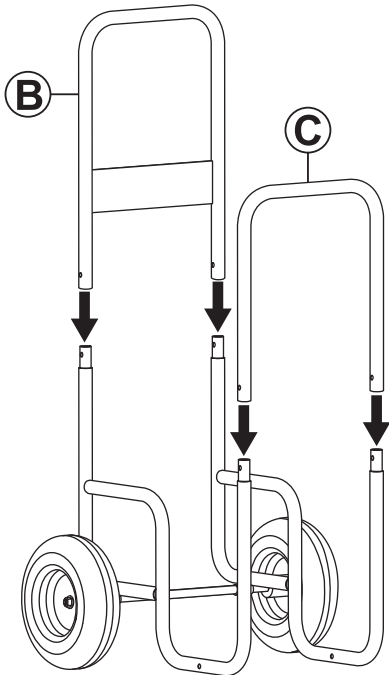
**IMPORTANT:** Ensure the wheels are installed in the correct direction.



Firmly secure two Wheels (F) to the axle using two M12 Washers (J) and two M12 Lock Nuts (K).

## STEP 3

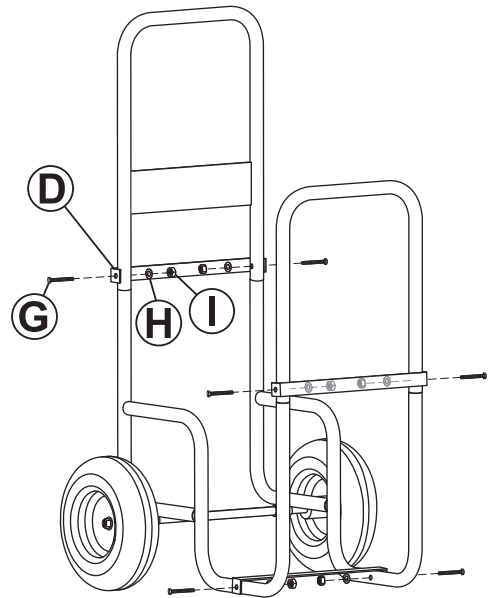
B: 1  
C: 1



Slide Handle (B) onto the back of the base panels.  
Slide Log Retainer (C) onto the front of the base panels.

## STEP 4

D: 3  
G: 6  
H: 6  
I: 6



Loosely secure one Brace (D) to the bottom of the log cart by hand-tightening two M8x40mm Bolts (G), two M8 Washers (H) and two M8 Lock Nuts (I).

Loosely secure the two remaining braces to the front and back of the cart, as shown.

Fully tighten all hardware using included Spanners (L).

# Safety Precautions & Care

1. Do not exceed the capacity of the cart. The height of the wood stack must not exceed the height of the handle.
2. Load the cart evenly, ensuring the heaviest part of the load is on the bottom of the cart. If the load in the cart is unbalanced or the load is too high it could possibly tip and cause injury and/or product damage.
3. For best results, only use the cart on flat surfaces with fully inflated tires. Maximum tire inflation: 30 PSI
4. Do not use the cart over rough ground, over curbs, stairs, etc. Use ramps whenever possible.
5. Ensure the load is stable before attempting to move the cart. Wood may shift during transport; if the wood begins to shift, stop immediately and stabilize the load.
6. Take extra time and care when transporting wide loads.
7. NEVER allow people to ride on the cart.
8. NEVER park the cart on an incline. If there is a slight incline, the wheels must be chocked.
9. NEVER alter the construction of the cart in any way, or use it for anything other than its intended purpose.
10. Use a soft cloth to wipe clean. Store in a clean, dry place when not in use.
11. To protect the integrity of the item, cover when not in use. Cover not included.
12. The powder coating on this unit is tough and durable, however, scratches are inevitable (even under normal use). To avoid excessive rust, keep scratched areas dry. Scratches can be repaired with a rust-resistant paint (not included).

**WARNING: THE ONE-YEAR WARRANTY DOES NOT COVER DAMAGES OR DEFECTS CAUSED BY THE APPLICATION OF CHEMICAL TREATMENTS, PROTECTIVE COATINGS, OR TOUCH-UP PAINT.**

## SAFETY STATEMENTS & WARNINGS

- Do not overload the log rack — holds approximately 1/8 face-cord of firewood.
- Ensure fittings are tight before use. Periodically check and tighten hardware as necessary.
- Protect the unit from outdoor elements with a cover. Cover not included.
- Do not allow children to play with, on, or around the log rack.
- Keep unit a safe distance from heat sources such as, but not limited to, fire pits and fireplaces.
- Never transport or store flammable liquids (gasoline, kerosene, propane, etc.) on this unit.

**Any modification to the product or failure to follow recommended care will void the product warranty.**

*If you experience issues with assembly or the product was damaged during shipping, please contact our customer service team through one of the methods mentioned at the top of page 1. Please have the item number and order information ready to expedite response time.*

## WARNING!

**Manufacturer and seller expressly disclaim any and all liability from personal injury, property damage or loss, whether direct or indirect, or incidental, resulting from the incorrect attachment, improper use, inadequate maintenance, or neglect of this product.**