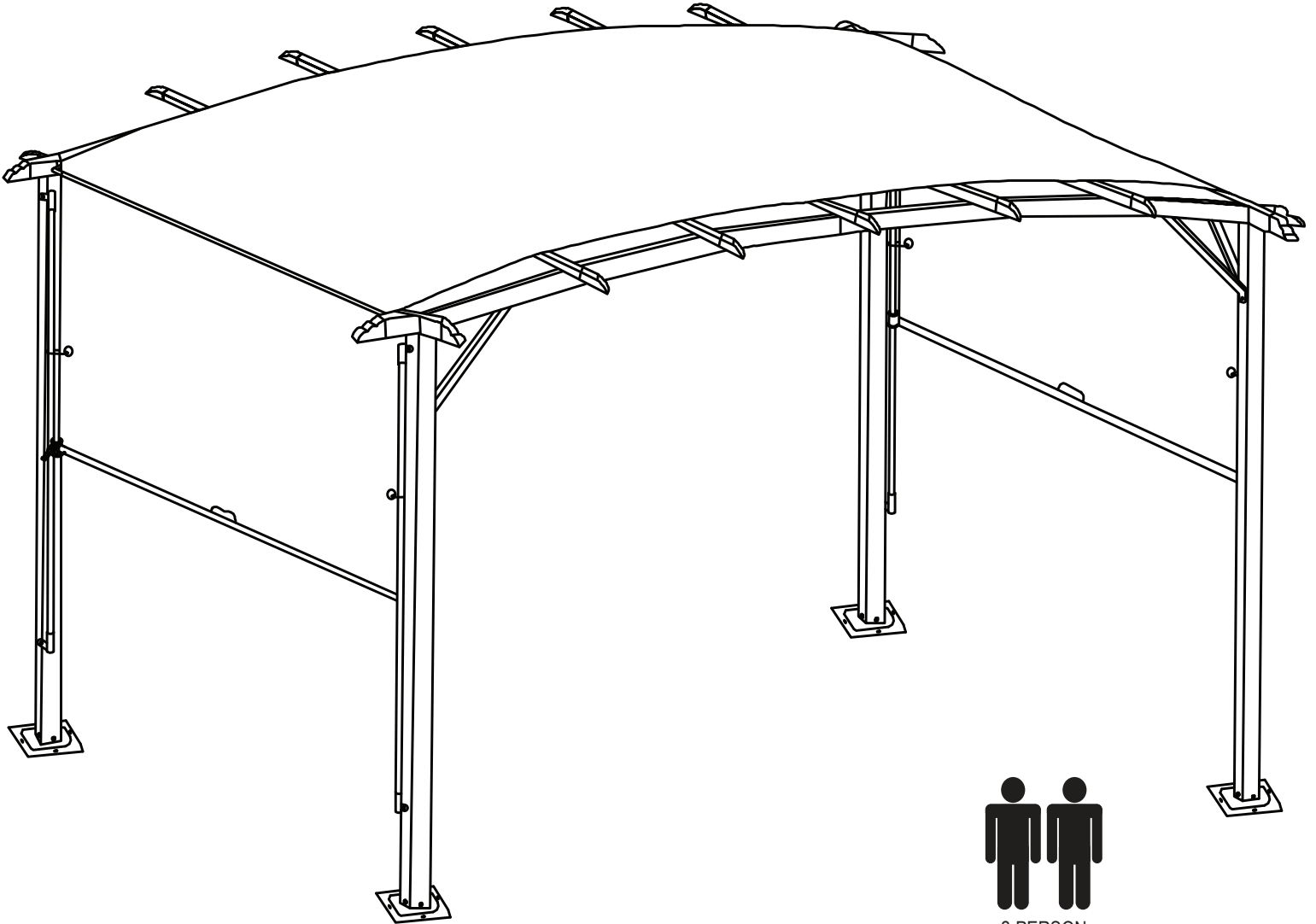


9' X 12' PERGOLA



! HELPFUL HINTS

Sunnydaze advises reading this manual fully, and assembling the pergola soon after purchase. Check that all parts are accounted for and familiarize yourself with the assembly before beginning.

Pay close attention to the direction of mounting holes during assembly.

Save this manual for future reference.

! WARNING!

Manufacturer and seller expressly disclaim any and all liability from personal injury, property damage or loss, whether direct or indirect, or incidental, resulting from the incorrect attachment, improper use, inadequate maintenance, or neglect of this product.



IMPORTANT SAFETY INFORMATION



GENERAL SAFETY WARNINGS

Please read, understand and follow all safety statements, warnings, assembly instructions, use & care directions before assembling and using the Pergola. Failure to follow instructions may result in personal injury or property damage.

The warnings, cautions, and instructions in this manual do not cover all possible conditions or situations that could occur. Use sound judgment and caution when using this pergola. Always be aware of the environment and ensure that the pergola is used in a safe and responsible manner.

- **ADULT ASSEMBLY ONLY!** Before assembling the pergola, check that the pergola parts are not damaged. If damage is found, contact Sunnydaze Customer Service. Failure to comply with these guidelines will/can lead to further damage, possible personal injury or property damage.
- Assemble the pergola on a flat, level surface. Uneven surfaces may cause damage to the frame.
- Ensure that all connection points are correctly and firmly secured before use.
- **DO NOT** use during inclement weather. This pergola is for decorative and sunshade purposes only and should *never* be used as shelter or protection for harsh weather conditions.
- **DO NOT** climb on top of the pergola.
- **DO NOT** allow rain to pool on the shade fabric. Pooling water will cause the fabric to stretch. Additionally, the excess weight may damage or break the pergola frame.
- **WARNING:** Keep flame and heat sources away from the shade fabric. Exposure to sources of heat may burn the fabric.
- **NEVER** use an open flame under or near the pergola; including, but are not limited to, grills, fire pits, torches, oil lanterns, and candles.
- Keep all components clean; doing so will prolong the appearance and life of the unit.
- **DO NOT** use solvents to clean the pergola. Do not use chlorine bleach, do not dry clean. Do not use a pressure washer.
- If the shade fabric gets wet, thoroughly air-dry. Leaving the fabric wet promotes mold and mildew growth; it may also cause the frame to rust.
- When not in use for extended periods of time and/or during winter months, remove and carefully fold the pergola fabric, and store it in a cool, dry place. Ensure the fabric is completely dry before storage.
- **DO NOT** modify this pergola in any way; altering the structure of the pergola is unsafe and automatically voids the product warranty.
- Ensure the pergola is properly anchored at all times. Do not install this pergola where it could encounter high winds. High winds increase the danger of it being carried by the wind, which could cause personal injury and property damage.
- **Sunburn Warning:** This pergola only provides limited sun ray protection in the shade area. Depending on the sun's position, this may not be directly under the fabric. Ensure users are aware of the sun's position, wear sunscreen, and actively avoid overexposure to the sun.

Any modification to the product or failure to follow recommended care will void the product warranty.

USE & CARE

- Check for damaged parts before each use. Carefully check that all parts and hardware are secure.
- Carefully consider the location of the pergola before assembly to ensure it can be properly anchored. Additional anchoring measures (not included) may be necessary.

NOTE: Prolonged exposure to sunlight inevitably causes fading and degrades fabrics.

SEVERE WEATHER

WIND

Do not use the pergola in strong winds. If the pergola is not properly anchored, it is susceptible to uplift. An unsecured pergola may blow over, which may result in personal injury and property damage.

If high winds are expected, it may be advisable to remove the shade fabric before the wind occurs.

RAIN

Do not let rain pool on top of the shade fabric. Pooling water will cause the fabric to stretch. Additionally, the excess weight may damage or break the pergola frame.

SNOW

Do not let snow build up on your pergola. As with pooling rainwater, excessive amounts of snow will stretch the fabric and potentially damage or break the frame.

LIGHTNING

Do not set up or seek shelter under this pergola when lightning is present.

FABRIC CARE

WASHING

Use warm, soapy water and a soft cloth or soft-bristle brush to scrub fabrics. Remove soap residue completely before air-drying. A garden hose with a spray nozzle set to a “flat” setting works great for removing soap; spray from top to bottom in vertical swipes until all of the soap residue is removed. Never use bleach or harsh cleansers.

DRYING

Ensure the fabric is fully spread out and allow to air dry. Allow air and light to hit as much of the fabric as possible — this will help reduce the chance of mold and mildew.

STORAGE

In areas where snow accumulates, removing and storing the shade fabric is highly recommended. Leaving the fabric shade attached to the frame in those environments will damage the fabric.

FRAME CARE

CLEANING THE PERGOLA FRAME

Wipe the frame down with clean, damp cloth.

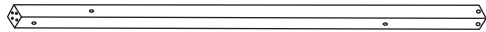

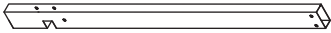
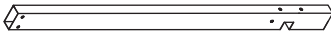







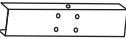
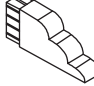
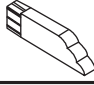










Residual moisture may cause rust, dry the frame with a soft, lint-free cloth.



The product warranty does not cover damages caused by weather elements and/or neglect to follow suggested use and care.



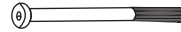



COMPONENTS

No.	PARTS	QTY.
A	 Post 1	2
A1	 Post 2	2
B	 End Rafter 1	2
B1	 End Rafter 2	2
C	 Side Rafter 1	2
C1	 Side Rafter 2	2
D	 Center Rafter	10
E	 Sliding Rail	4
F	 Shade Rod 1	4
G	 Top Rail Rod 1	4
H	 Flange Base	4
I	 Outer Rafter Connector	4
J	 End Rafter Cap	8
J1	 Center Rafter Cap	10
K	 End Arch Support	4
K1	 Side Arch Support	4
L	 Center Rafter Connector	5
M	 Top Rail Connector	4
N	 Slide Rail Connector	8
O	 Shade Fabric	1
P	 Left Slide Rail Lock	2
P1	 Right Slide Rail Lock	2
R	 Ground Stake	16
S	 Shade Tie	4



Inspect packaging to ensure all parts are accounted for before disposing of packing materials.

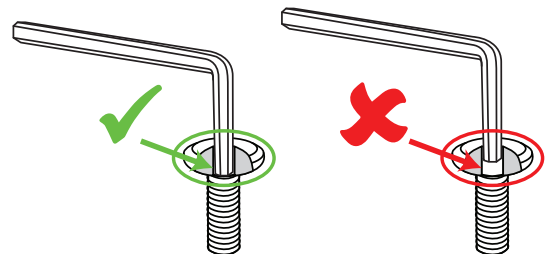
No.	HARDWARE	QTY.
1	 M6 x 15mm Bolt	96
2	 M6 x 55mm Bolt	10
3	 M6 x 75mm Bolt	16
4	 Screw	4

INCLUDED TOOLS



Hex Key

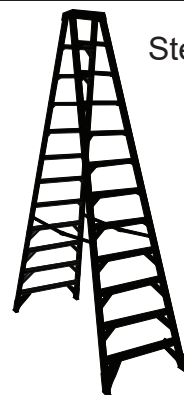
Tip: Always fully insert the hex key inside designated notch of the bolt to prevent the bolt head from stripping.



⚠ WARNING ⚠

CHOKING HAZARD — This item contains small parts that can be swallowed by children. Keep children away during assembly.

TOOLS REQUIRED (not included)



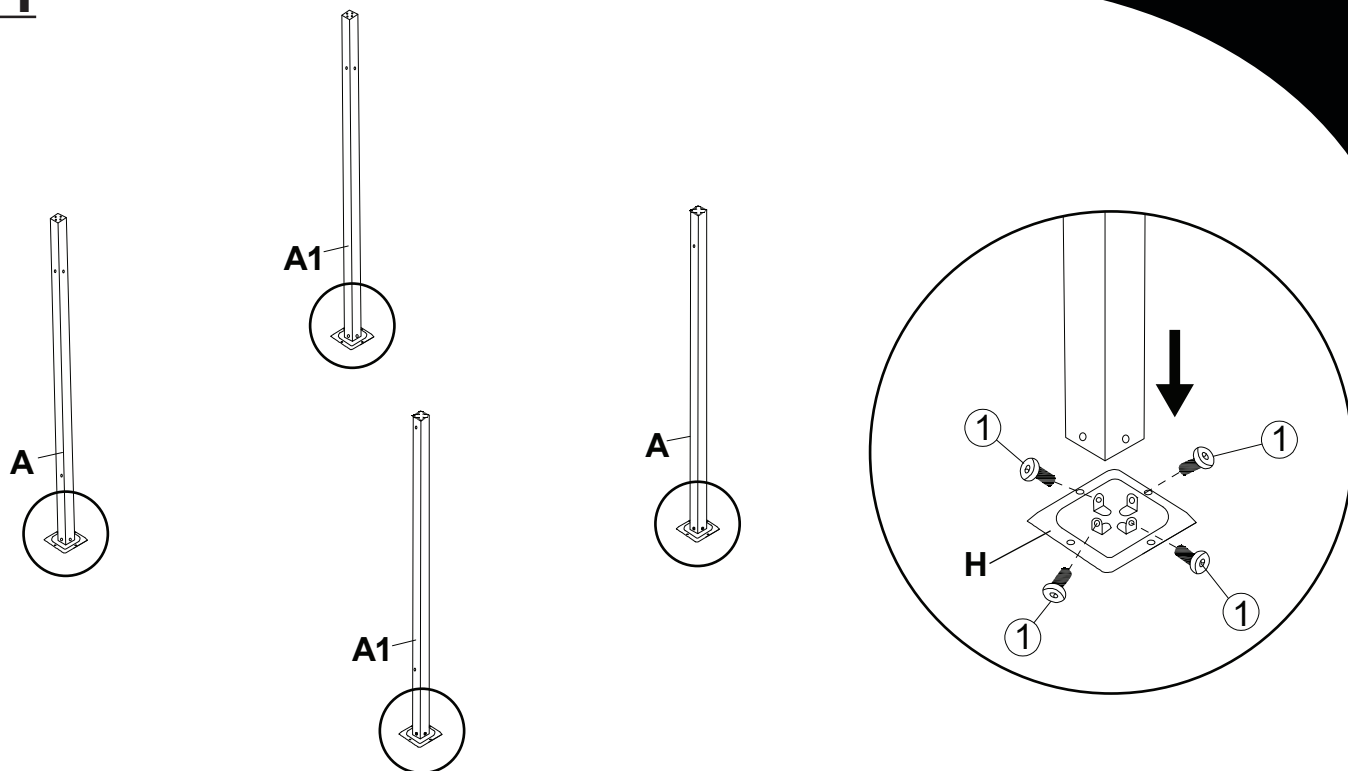
Step Ladder



2-PERSON
ASSEMBLY

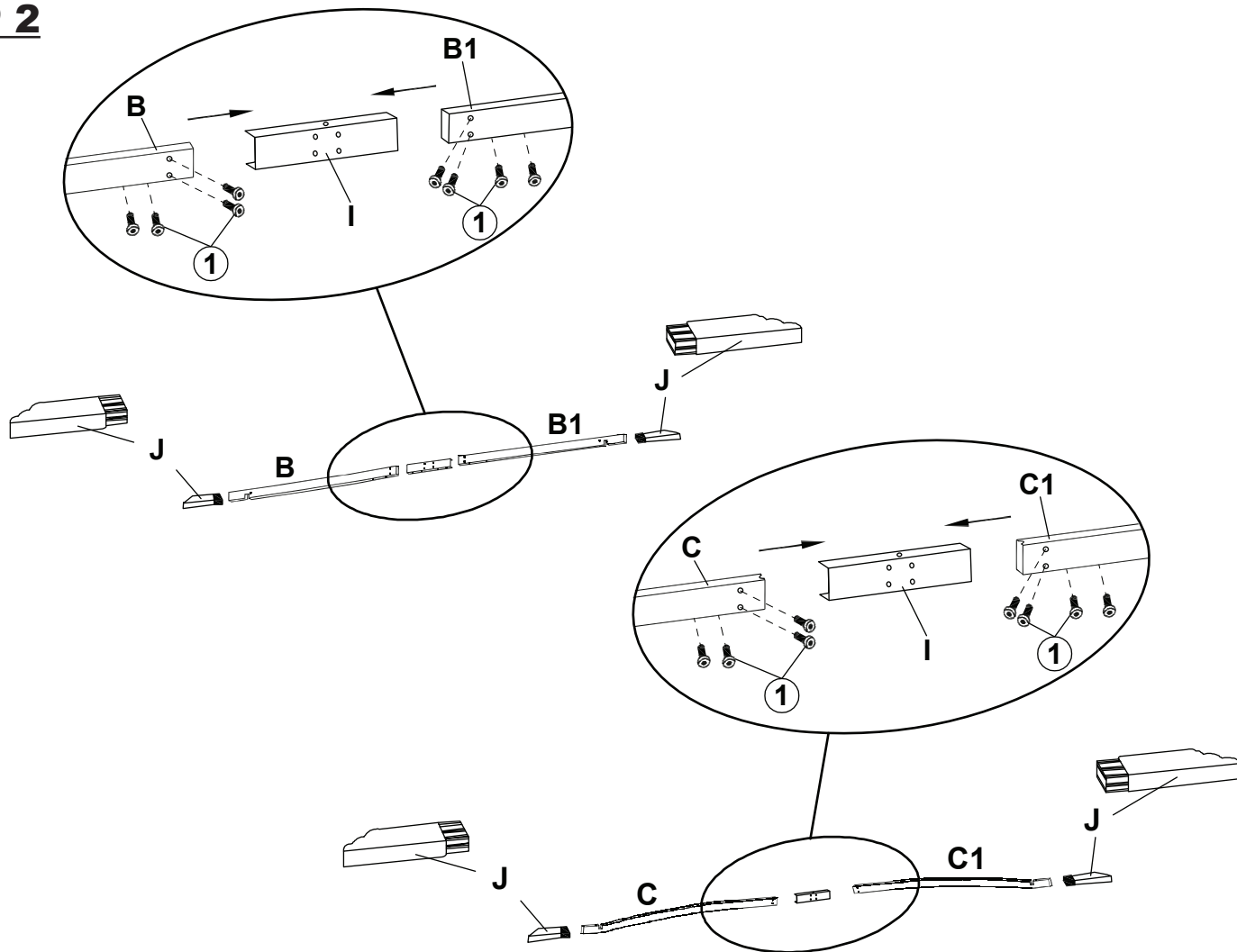
STEP 1

- A: 2
- A1: 2
- H: 4
- 1: 16



STEP 2

- B: 2
- B1: 2
- I: 2
- 1: 16
- J: 4



- C: 2
- C1: 2
- I: 2
- 1: 16
- J: 4

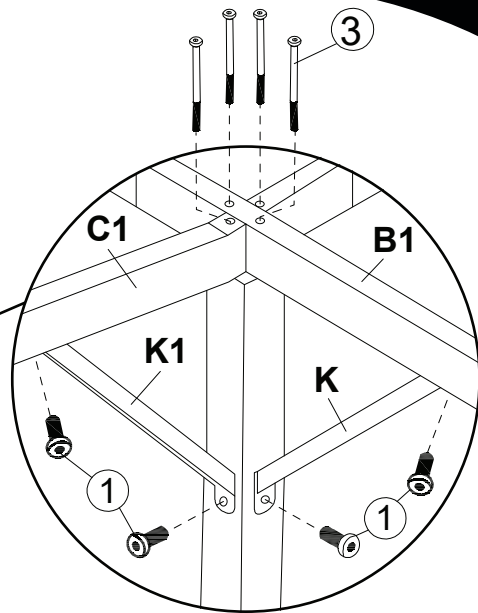
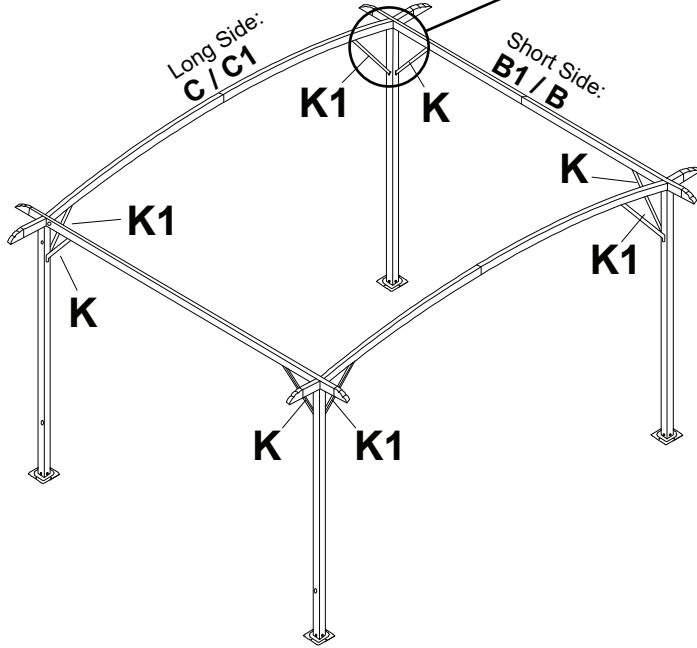
STEP 3

K: 4 (install on Short Side: B1/B)

K1: 4 (install on Long Side: C1/C)

1: 16

3: 16



! HELPFUL HINT

Ensure legs A and A1 are on opposite corners, as shown in Step 1.

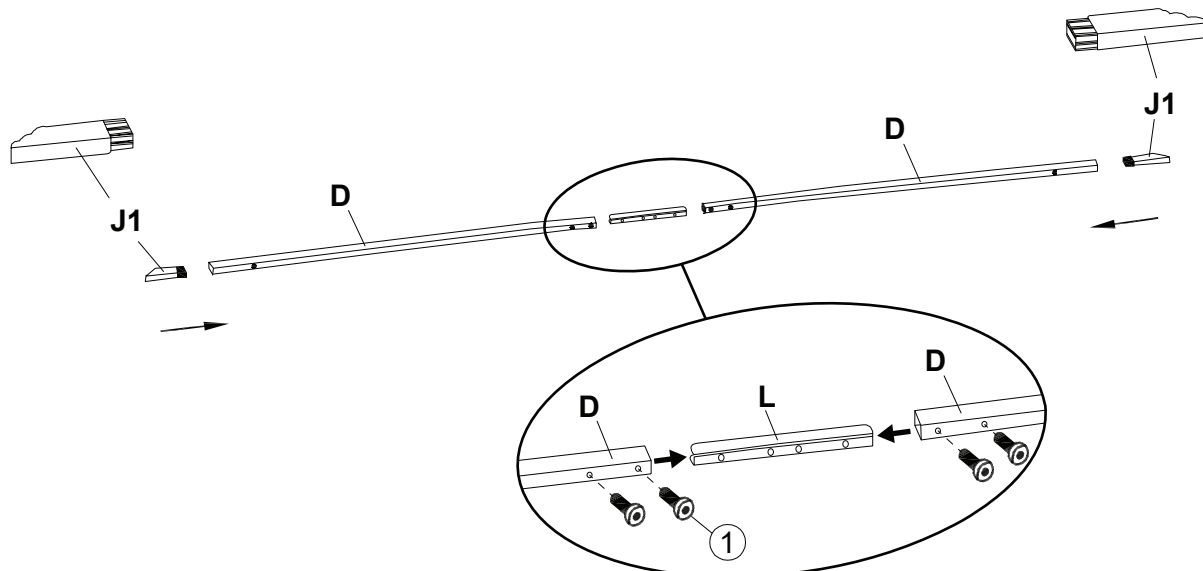
STEP 4

D: 10

L: 5

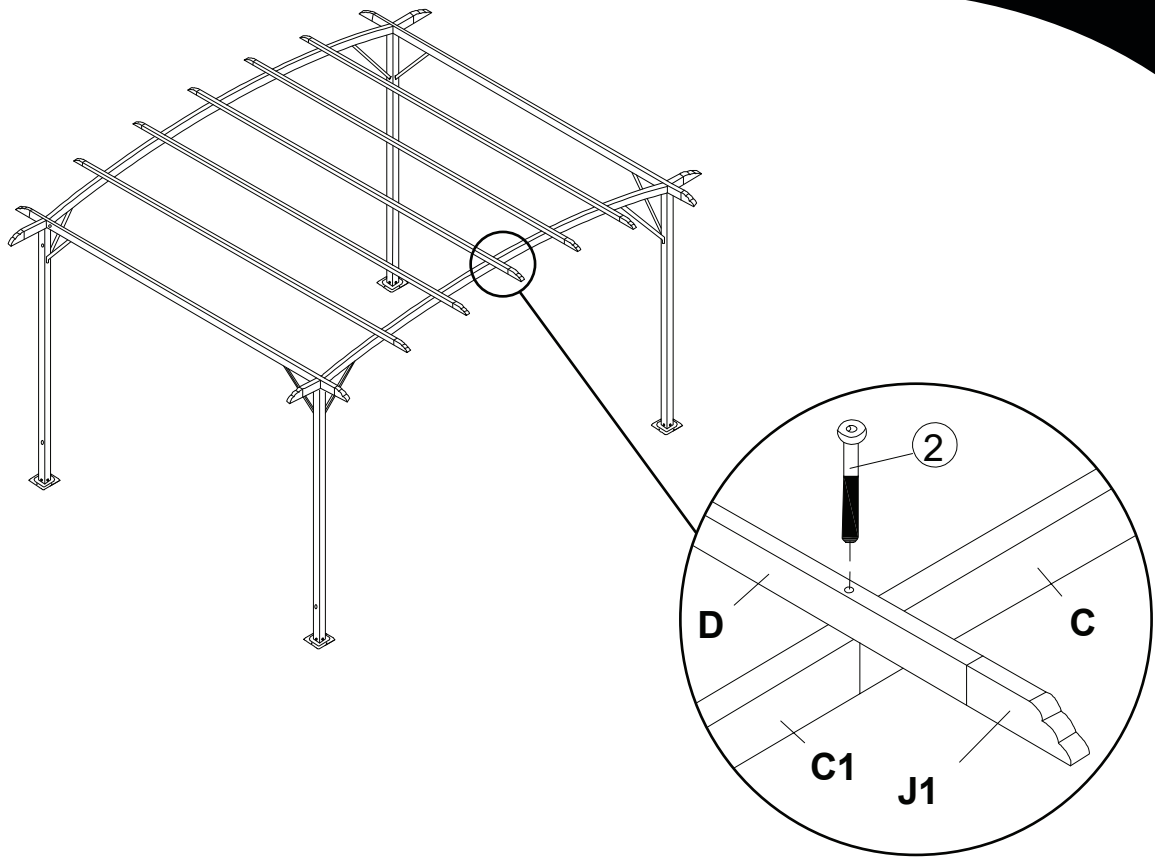
1: 20

J1: 10



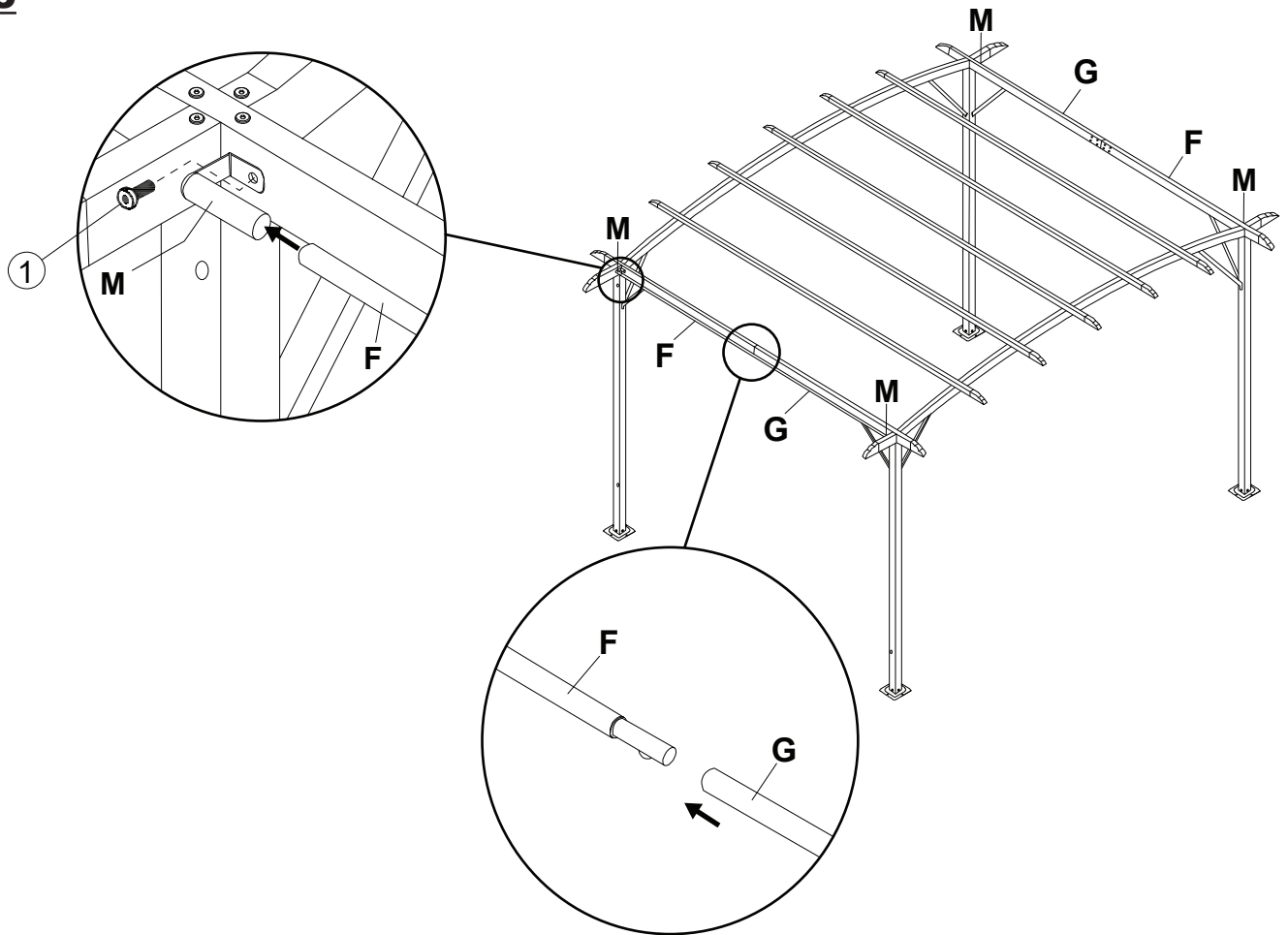
STEP 5

2: 10



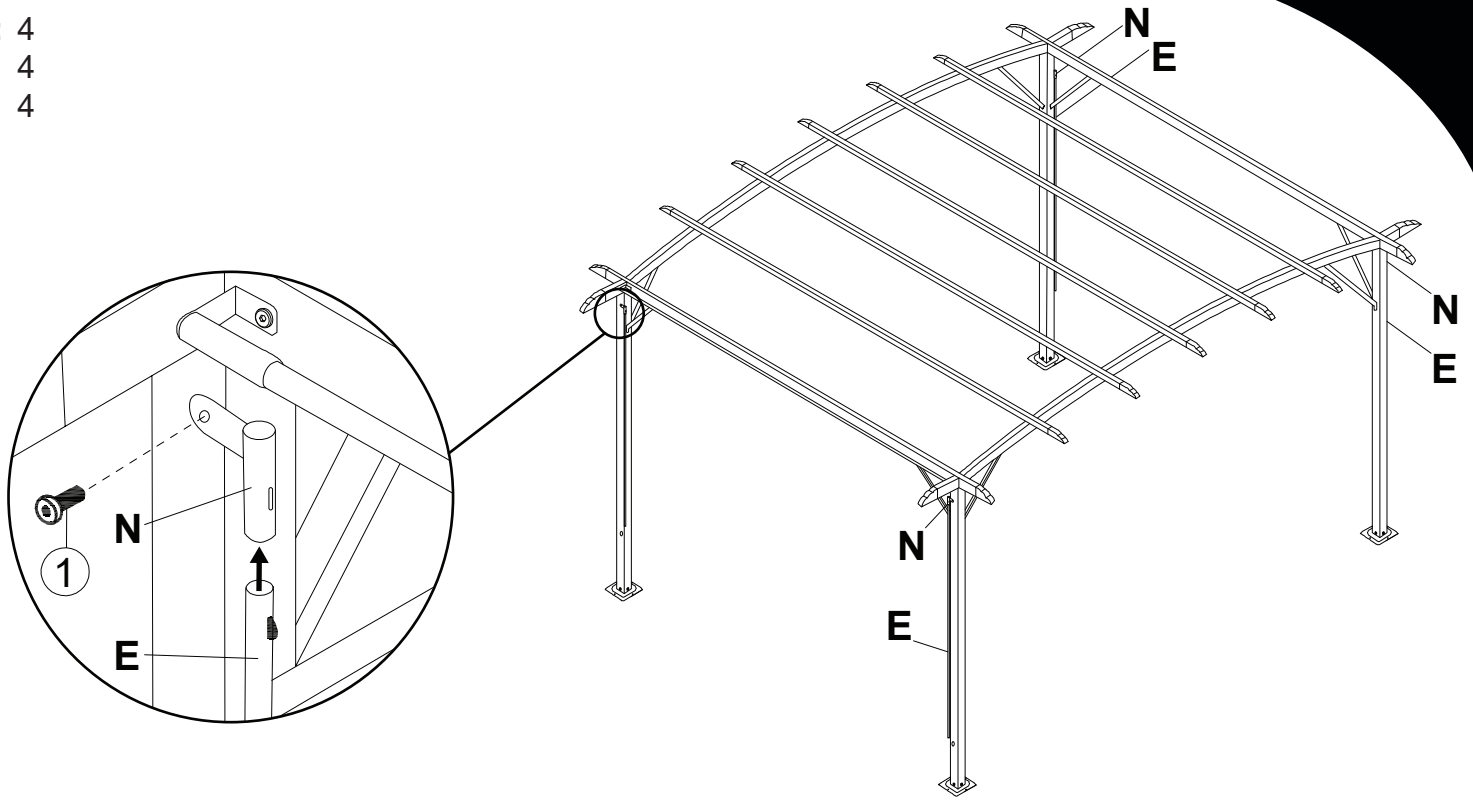
STEP 6

- F: 2
- G: 2
- M: 4
- 1: 4



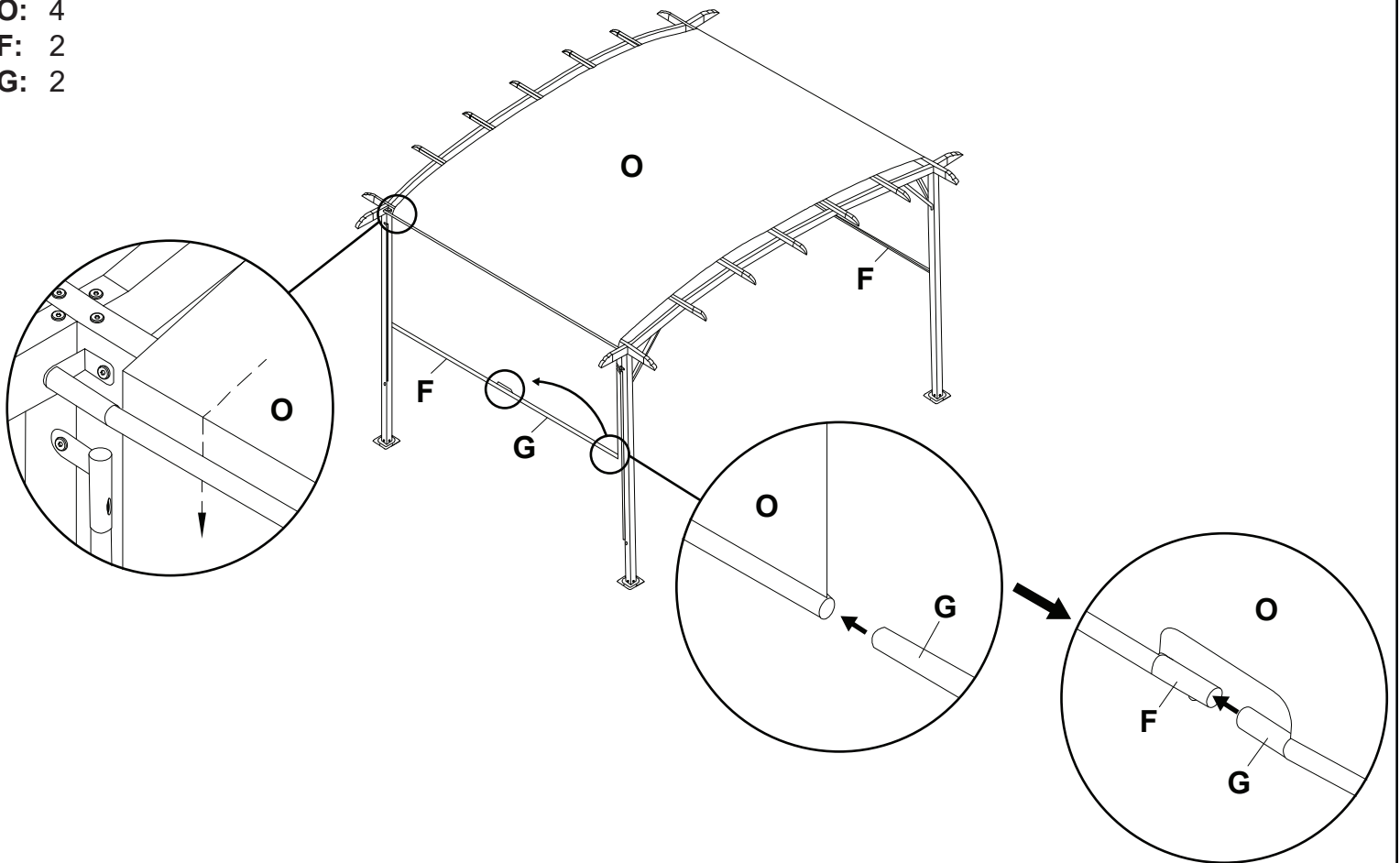
STEP 7

N: 4
1: 4
E: 4



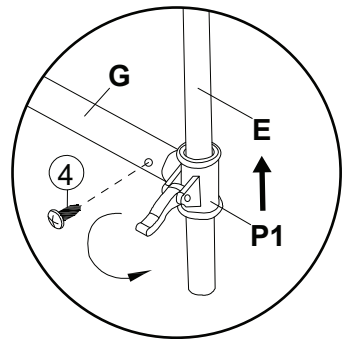
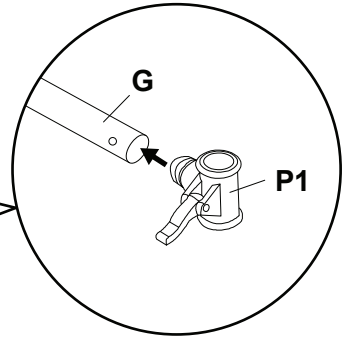
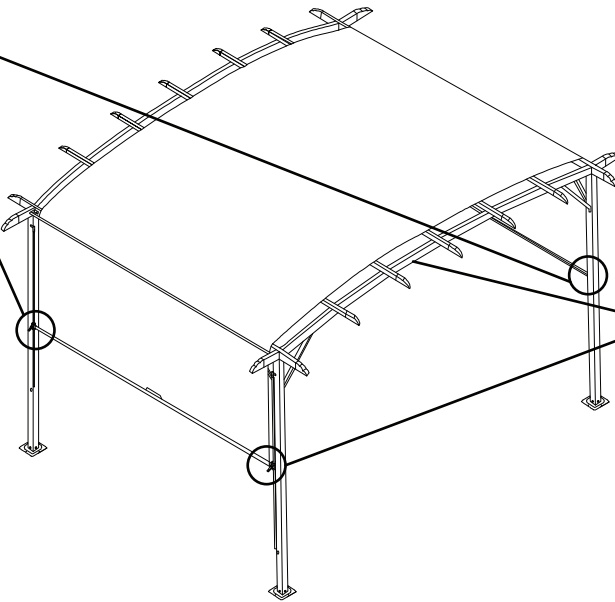
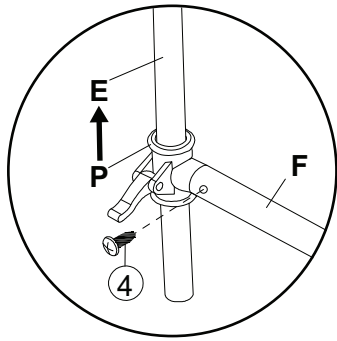
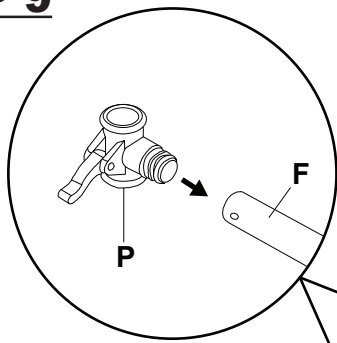
STEP 8

O: 4
F: 2
G: 2



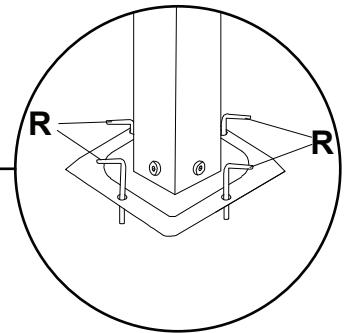
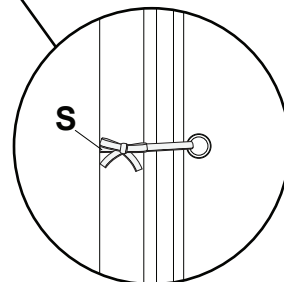
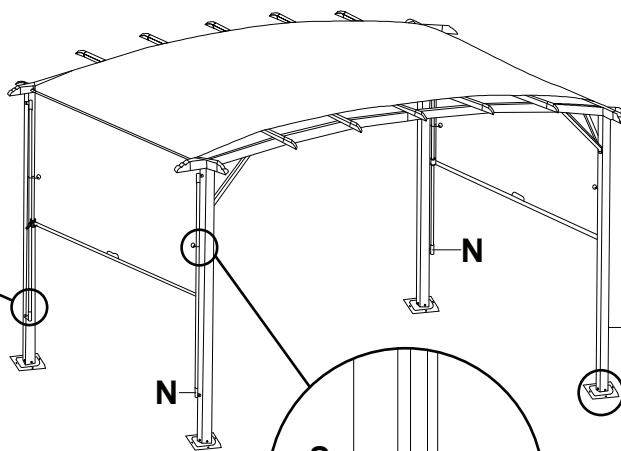
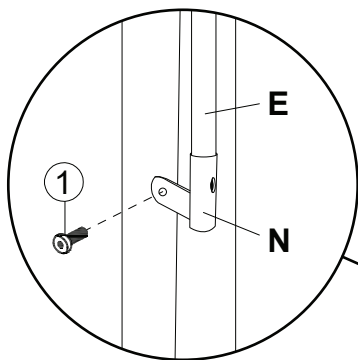
STEP 9

P: 2
P1: 2
4: 4



STEP 10

N: 4
1: 4
R: 16



Any modification to the product or failure to follow recommended care will void the product warranty.