


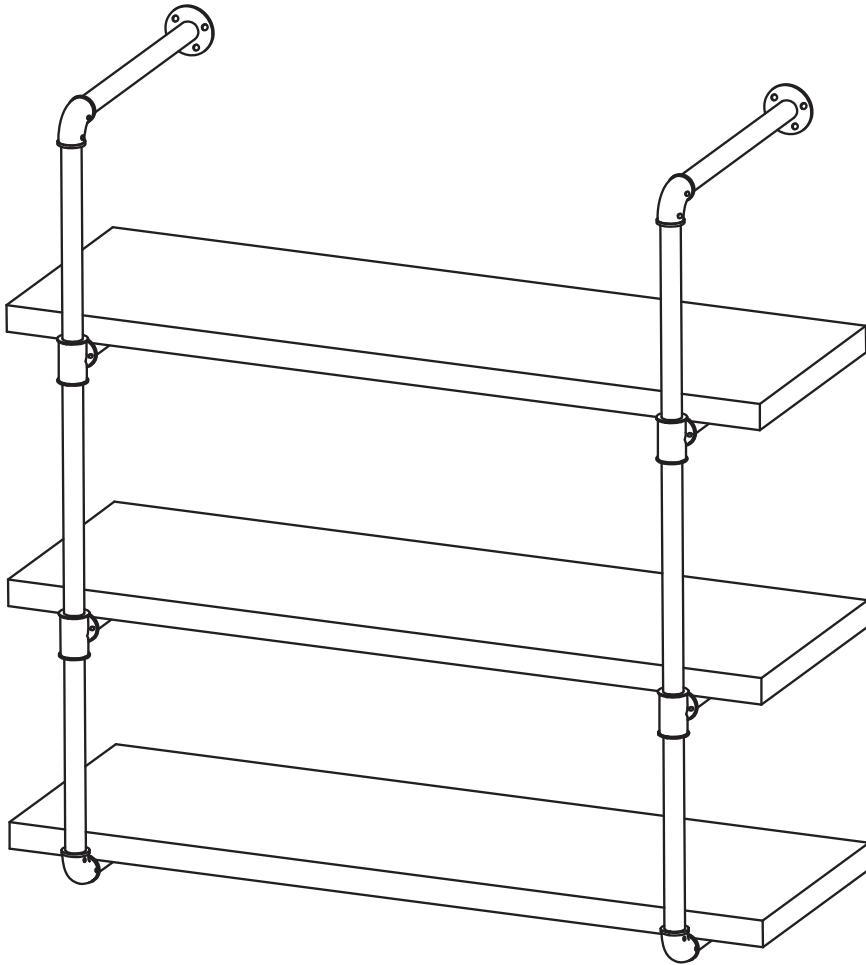
Thank you for choosing Sunnydaze Decor. We stand behind our brand and the quality of the items we sell. Replacement parts or products will be sent at our discretion within the 1-year warranty period. Proof of purchase, with the date of purchase as well as photos of the merchandise defect, must be provided. Photos are used to determine the cause of defects and for future quality control. Register your warranty at <https://tiny.cc/SunnydazeWarranty>. If you have any questions, comments or concerns, feel free to contact us by phone at 833-982-1977, by email: customerservice@sunnydazedecor.com, or via our contact us page at <https://tiny.cc/SunnydazeContact>


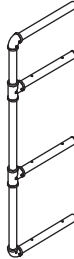






3-TIER WALL-MOUNT SHELF

Read all assembly and care instructions carefully before using this product. Save this document for future reference.
Assemble components on a soft, clean surface to avoid scratching or damaging the finish.

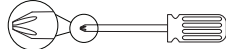
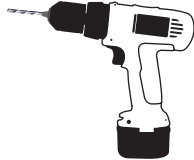



Inspect packaging to ensure all parts are accounted for before disposing of packing materials.
 📄 Save the packing slip.



No.	PARTS	QTY.
A	 Wall Attachment Disk	4
B	 Frame	2
C	 Shelf	3
D	 M6x12mm Bolt	4
E	 M4x45mm Shelf Screw	12
F	 M4x40mm Wall Screw	16
G	 Wall Anchor	16
H	 Hex Key	1

TOOLS REQUIRED (not included)

	Phillips Screwdriver
	Power Drill with 1/4" (7mm) Drill Bit
	Pencil



! HELPFUL HINT

Do not fully tighten fittings until all components are assembled. If fittings are tightened too soon, mounting holes may not align, and parts may not easily fit together.

! WARNING !

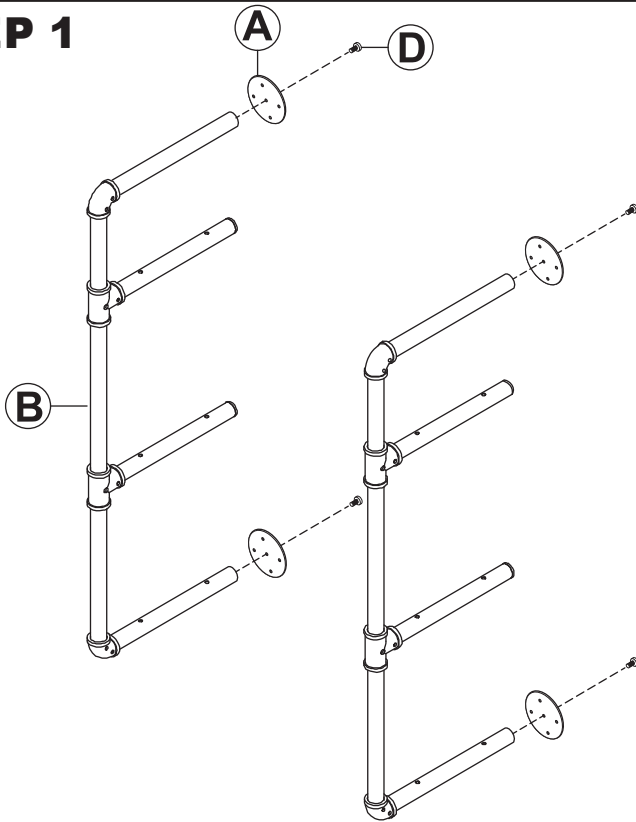
CHOKING HAZARD — This item contains small parts that can be swallowed. Keep children and pets away during assembly.

ASSEMBLY

Read carefully and understand assembly before beginning.
Do not fully tighten fittings until all components have been assembled.

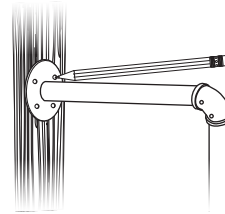
STEP 1

A: 4
B: 2
D: 4



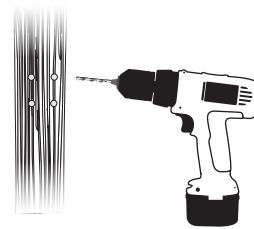
STEP 2

G: 16



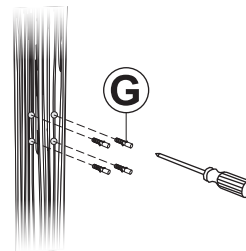
MARK IT

Have a person hold the shelf on the wall and use a pencil to mark where the anchors will go.



DRILL HOLES

Set shelf aside.
Use a 1/4" (7mm) drill bit and carefully drill over the pencil marks.

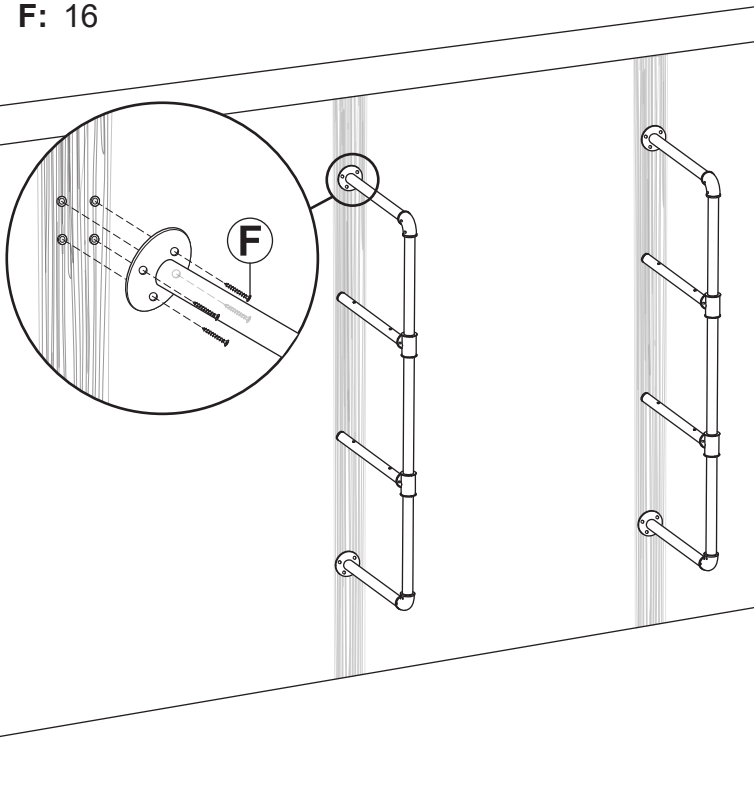


INSERT ANCHORS

Use a Phillips screwdriver to screw the anchors into the holes until they are flush with the wall.

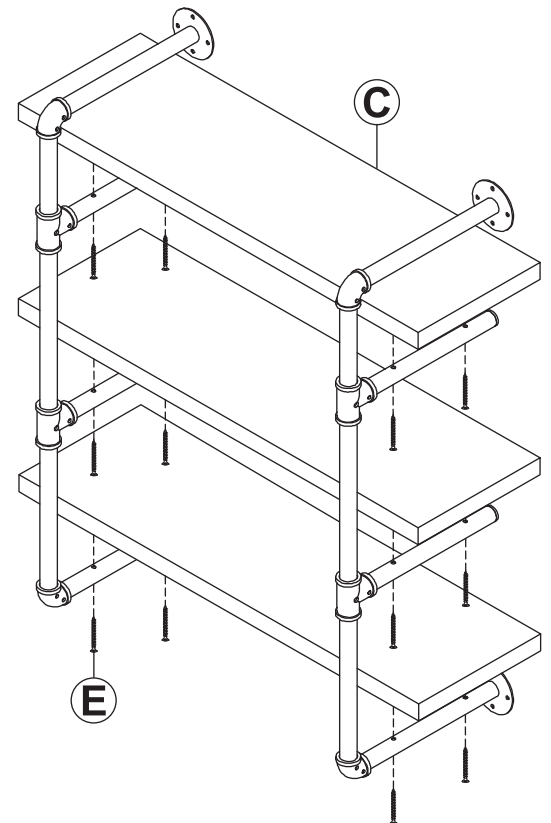
STEP 3

F: 16



STEP 4

C: 3
E: 12



Care & Maintenance



To clean the shelving, a feather duster or a dry, soft cloth is recommended.



Remove stains with a slightly damp cloth and mild soap. Dry with a soft cloth to prevent water damage.



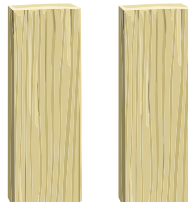
Do not clean shelving with harsh cleansers or polish.



Do not put hot items or any liquids directly on the furniture surface.



Do not climb or sit on the shelving unit, doing so may cause serious injury and property damage.



This shelving system is meant for stud mounting. If walls are concrete, brick or plaster, consult a professional.

! SAFETY STATEMENTS & WARNINGS !

- Residential use only. Not for commercial or industrial use.
- Indoor use only. Do not use outdoors.
- Ensure fittings are tight before use. Periodically check fitting to ensure they remain tight.
- Do not climb on or sit on the shelves.
- Supervise children; never allow children to climb or sit on this unit as it may cause serious injury and property damage.
- Do not place liquids or hot items on the shelves.
- Never use chemical cleaning products or polishes as they may can damage the finish.
- Do not overload the shelves as doing so may cause the shelves to sag.
- Do not install unit in direct sunlight.
- Do not install near heating or cooling vents.
- Do not write on furniture without a padded barrier to protect the surface.

Any modification to the product or failure to follow recommended care will void the product warranty.

! NOTICE:

Manufacturer and seller expressly disclaim any and all liability from personal injury, property damage or loss, whether direct or indirect, or incidental, resulting from the incorrect attachment, improper use, inadequate maintenance, or neglect of this product.