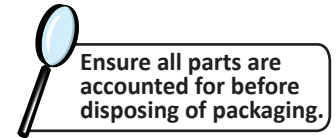
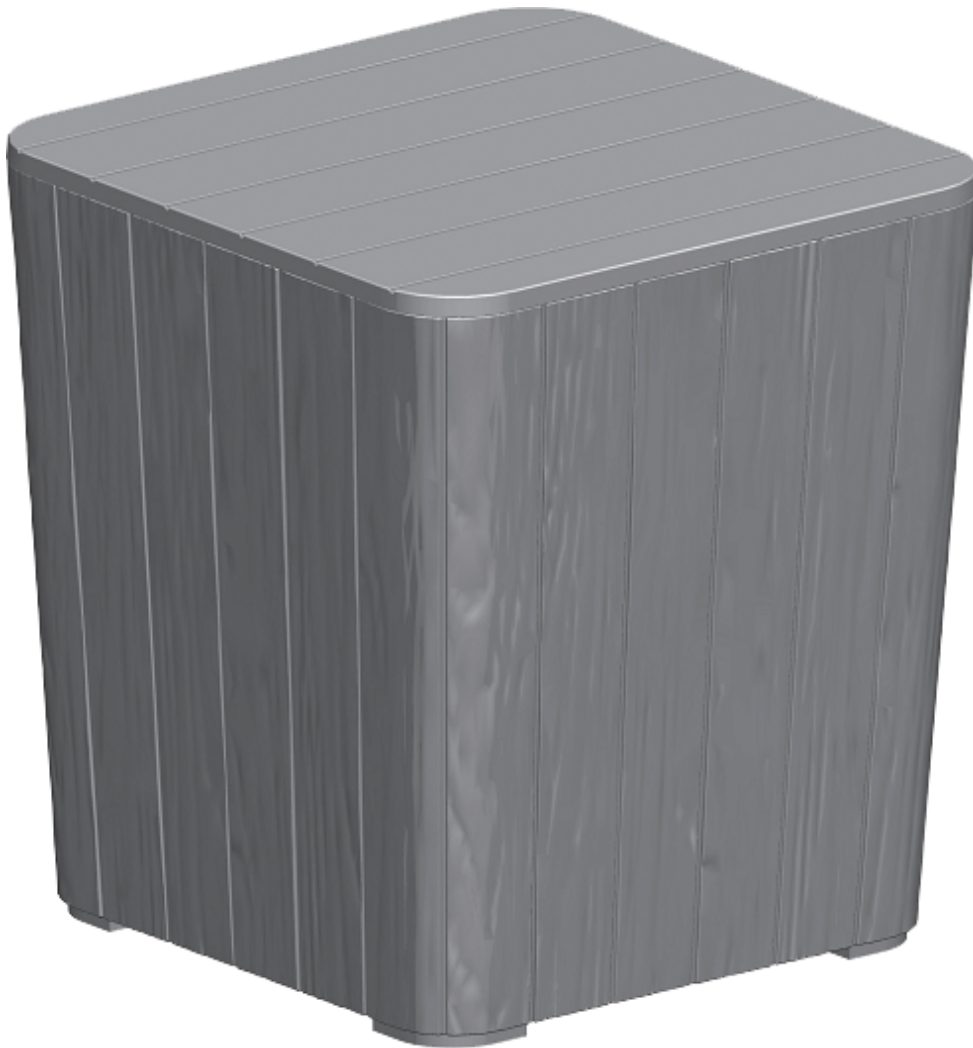

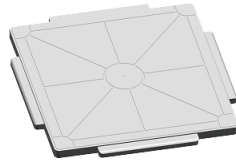



# FAUX WOOD DESIGN OUTDOOR STORAGE BOX WITH TABLETOP

Review assembly instructions carefully and follow the care instructions. Save this document for future reference.  
**Assemble components on a soft, clean surface to avoid scratching or damaging the finish.**



NO.	PARTS	QTY.
ST	 Side Panel	4
FT	 Bottom Panel	1
T	 Lid	1

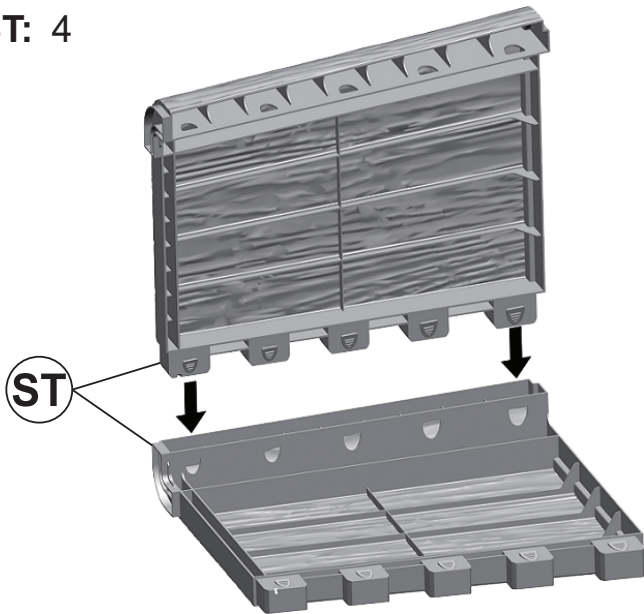
## ! HELPFUL HINT

Sunnydaze Decor advises reading this manual fully, and assembling the unit soon after purchase. Check that all parts are accounted for and familiarize yourself with the assembly before beginning. Save this manual for future reference.

# ASSEMBLY

## STEP 1

ST: 4

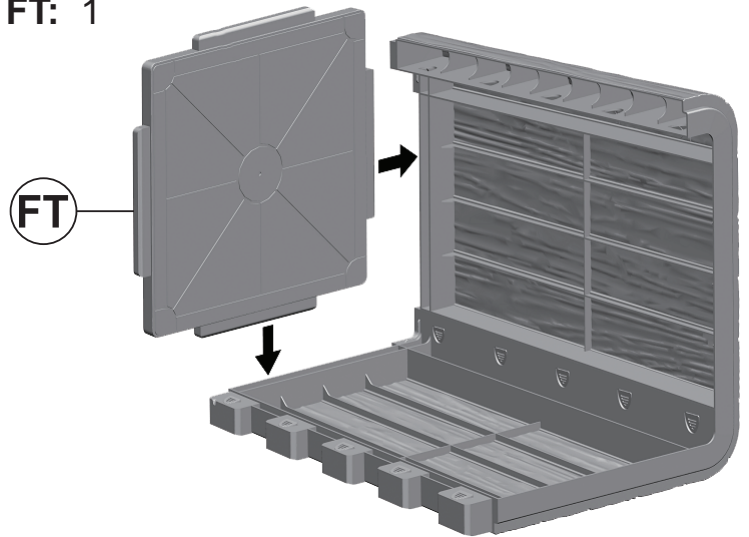


Firmly press the straight side of one Side Panel (ST) into the rounded side of the second Side Panel, as shown. Repeat with the remaining two side panels.

**IMPORTANT:** do not connect the two assembled sections; they will be connected in step 3.

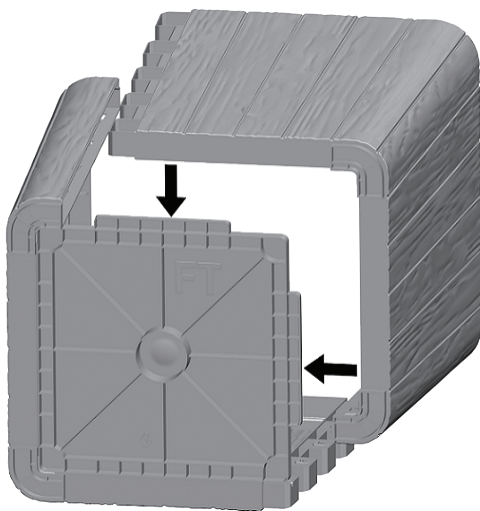
## STEP 2

FT: 1



Insert Bottom Panel (FT) into the bottom of one of the assembled side panel sections, as shown.

## STEP 3

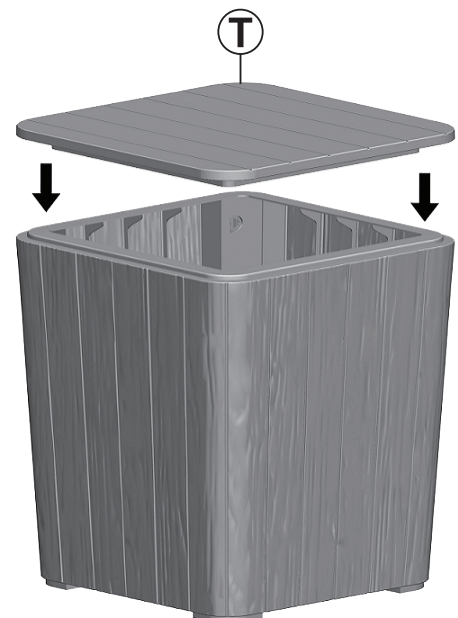


As shown, align the remaining assembled side panel section with the bottom panel.

Firmly press the side panels together, ensuring they are fully connected.

## STEP 4

T: 1



Place Lid (T) onto the assembled storage box.

# Care & Maintenance

**SAFE USE:** Do not sit or stand on the deck box. **DO NOT** allow children or pets to play on **OR** inside the storage box.

**CLEAN:** Periodically washing the unit will maintain a fresh appearance and prevent damage that may result from the build-up of dust and debris.

**INSPECT:** Check the deck box often to ensure all components are firmly secured.

**WINTER CARE:** Store indoors during freezing conditions. Covering with a breathable cover while in storage will help prevent dust and debris build-up.

## Cleaning

*Regular cleaning keeps your resin furniture looking stunning for many Sunnydaze to come!*

**Do not use harsh chemicals or abrasive materials to clean the furniture.**

 **DO NOT USE BLEACH**

 **DO NOT USE A PRESSURE WASHER**

- Brush, vacuum, or use a garden hose to remove loose dirt and debris.
- Mix 1/4 cup of soap or a mild detergent with 1 gallon of warm water. Use a soft-bristle brush to scrub dirt and grime from the surfaces.
- Thoroughly rinse the unit; spray with a garden hose or use a bucket of water to rinse all traces of soap residue from the unit.
- Dry the interior and exterior of the unit with a soft, lint-free cloth. Leaving the lid off the storage box to allow any missed or remaining moisture to evaporate is recommended.

### **SAFETY STATEMENTS & WARNINGS**

- Do not sit or stand on any part of this storage box.
- Do not use this item in the proximity of open flame or flammable/combustible chemicals.
- Keep furniture a safe distance from heat sources such as fire pits, patio heaters, and grills.
- Do not allow children to use this product.
- Do not use harsh chemicals or abrasive materials to clean this unit.
- This product is for residential use only; institutional or commercial use will void this warranty.

**Any modification to the product or failure to follow recommended care will void the product warranty.**

### **WARNING!**

**Manufacturer and seller expressly disclaim any and all liability from personal injury, property damage or loss, whether direct or indirect, or incidental, resulting from the incorrect attachment, improper use, inadequate maintenance, or neglect of this product.**