




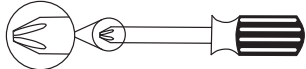
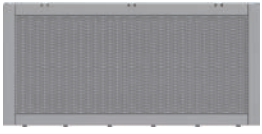






Thank you for choosing Sunnydaze Decor. We stand behind our brand and the quality of the items we sell. Replacement parts or products will be sent at our discretion within the 1-year warranty period. Proof of purchase, with the date of purchase as well as photos of the merchandise defect, must be provided. Photos are used to determine the cause of defects and for future quality control. Register your warranty at <https://tiny.cc/SunnydazeWarranty>. If you have any questions, comments or concerns, feel free to contact us by phone at 833-982-1977, by email: customerservice@sunnydazedecor.com, or via our contact us page at <https://tiny.cc/SunnydazeContact>

FAUX RATTAN DECK BOX WITH SIDE HANDLES

Review assembly instructions carefully and follow the care instructions. Save this document for future reference.
Assemble components on a soft, clean surface to avoid scratching or damaging the finish.



 Ensure all parts are accounted for before disposing of packaging.

No.	PARTS	QTY.	No.	PARTS	QTY.	TOOLS REQUIRED (not included)
A	 Front Panel	1	D	 Bottom Panel	1	 Phillips Screwdriver
B	 Back Panel	1	E	 Lid	1	
C	 Side Panel	2	H	 Gas Spring	2	 WARNING  CHOKING HAZARD — This item contains small parts that can be swallowed. Keep children and pets away during assembly.
			1	 M3.9x19mm Screw	8	

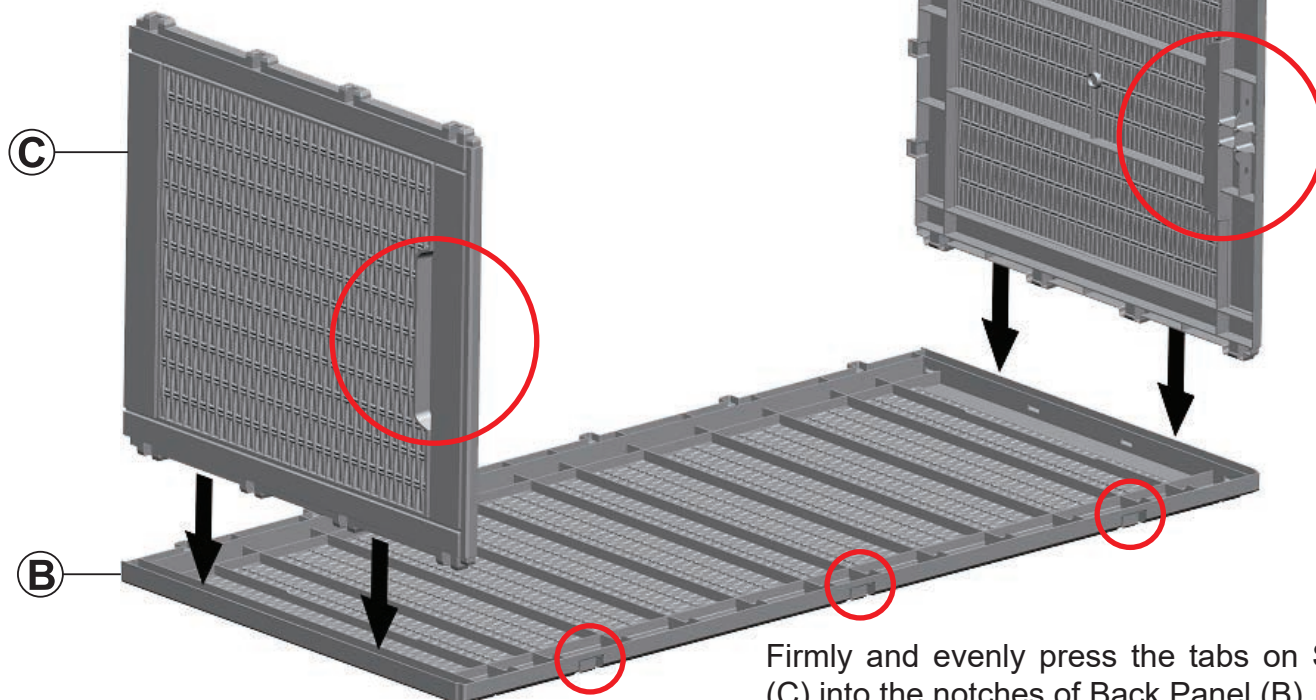
ASSEMBLY

STEP 1

B:1

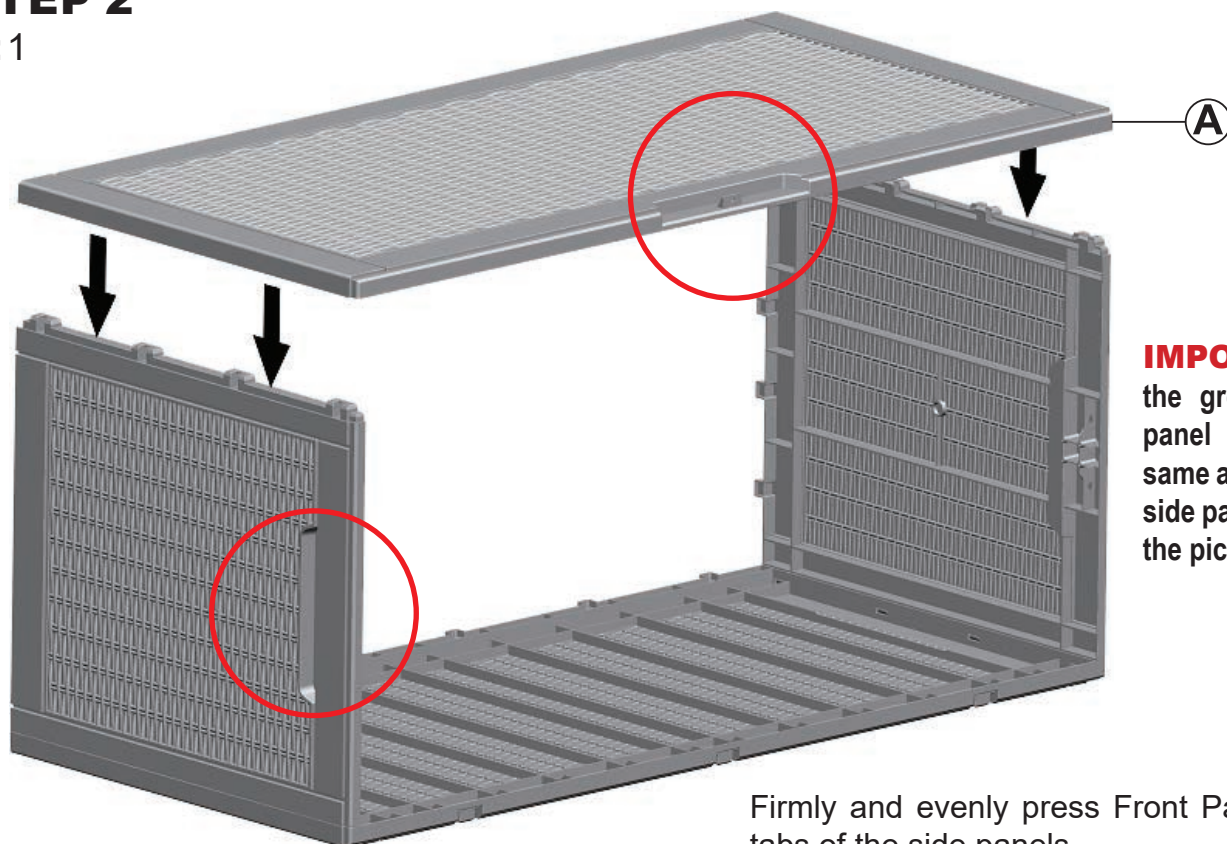
C:2

IMPORTANT: Ensure the handles in the side panels are installed on the same side as the hinge grooves in the back panel as indicated in the picture.



STEP 2

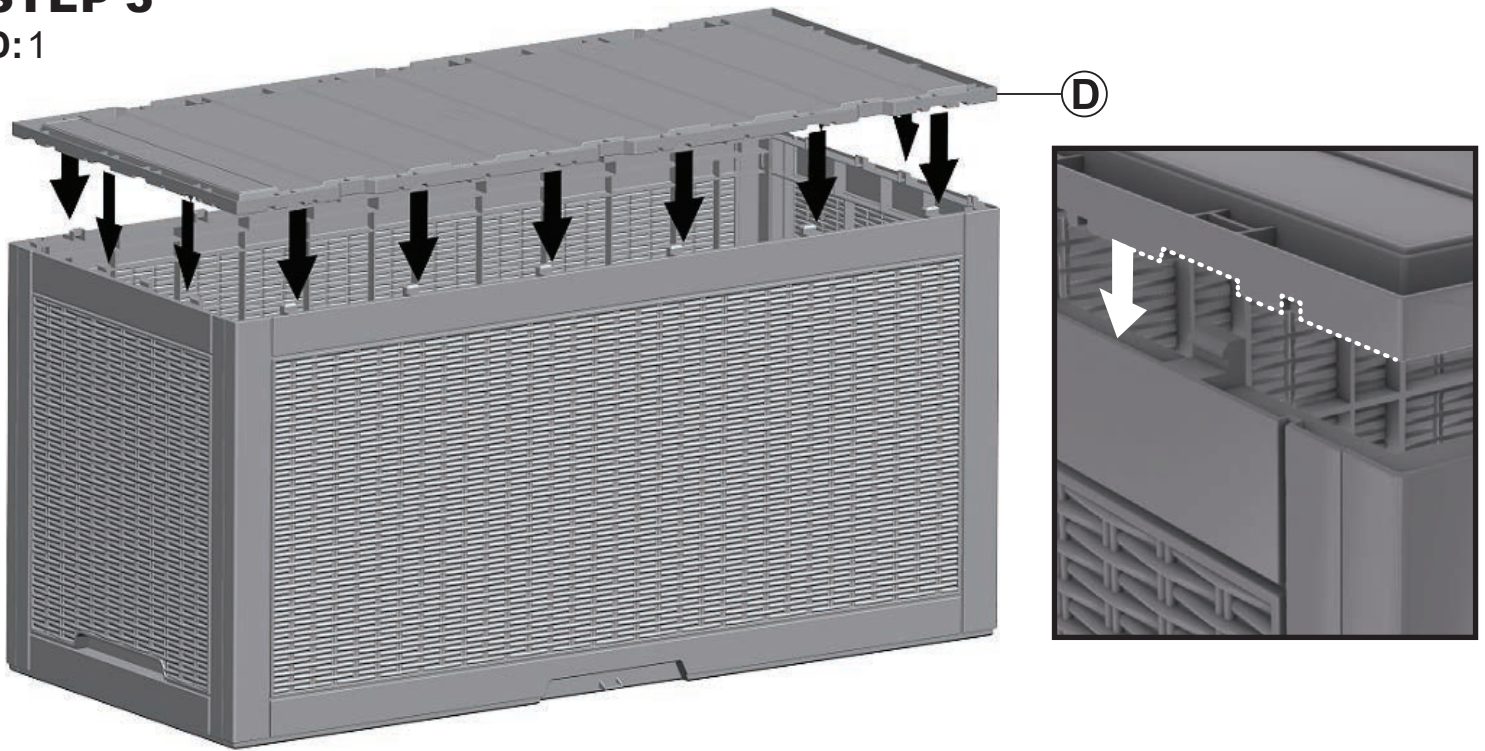
A:1



IMPORTANT: Ensure the groove on the front panel is installed on the same as the handles in the side panels as indicated in the picture.

STEP 3

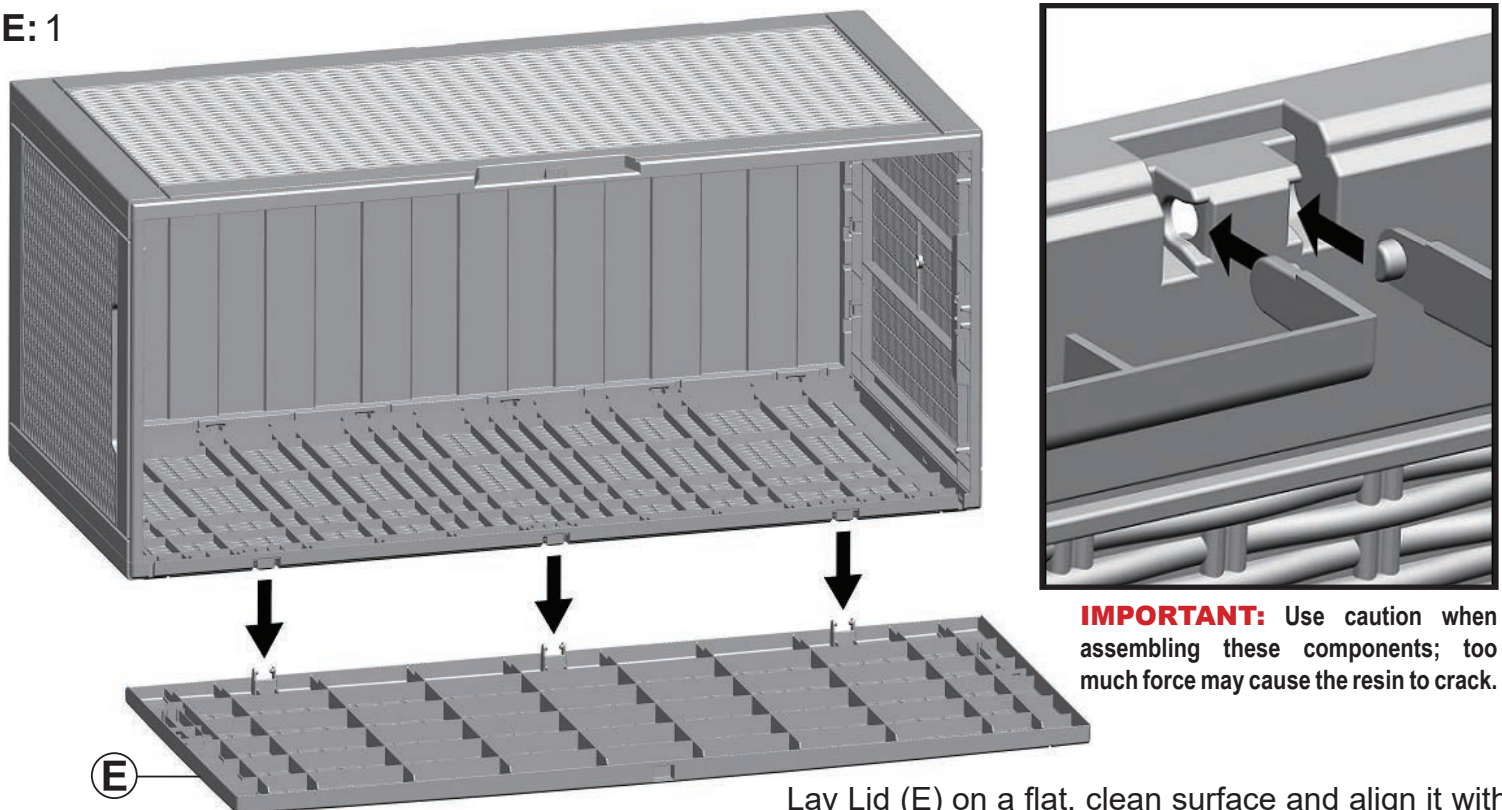
D:1



Flip the deck box upside down.
Firmly and evenly press Bottom Panel (D) onto the tabs until they snap into place.

STEP 4

E:1

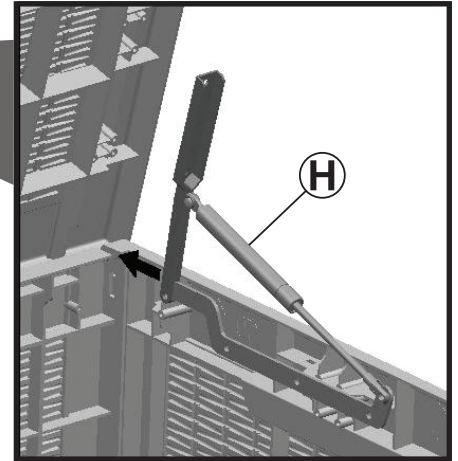
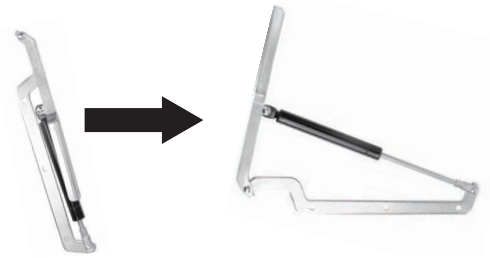
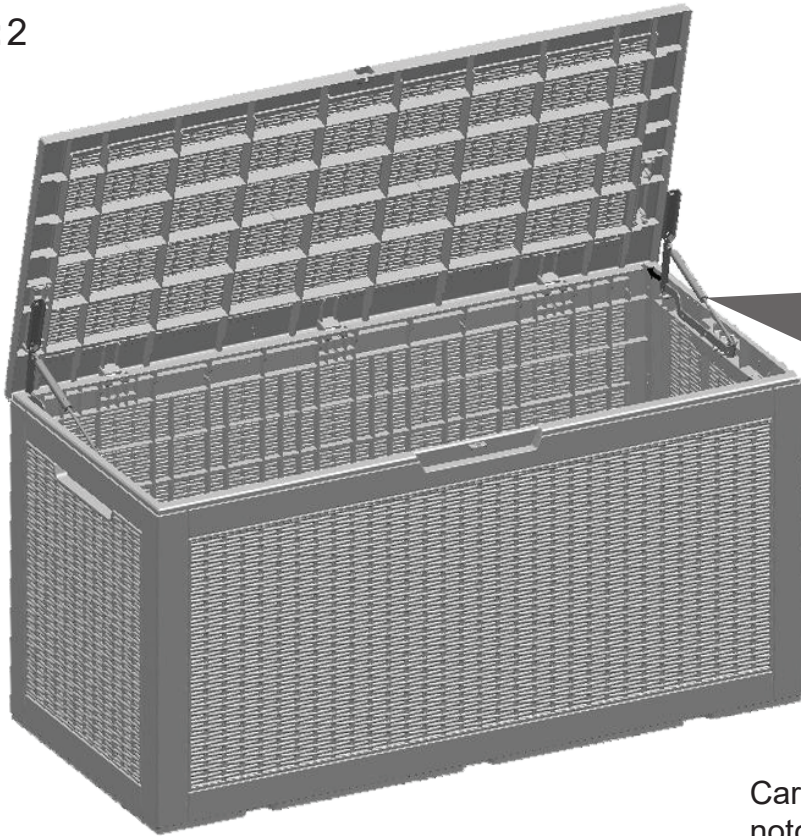


IMPORTANT: Use caution when assembling these components; too much force may cause the resin to crack.

Lay Lid (E) on a flat, clean surface and align it with the back panel as shown.
Firmly but carefully press the back panel and lid tabs together until they snap into place.

STEP 5

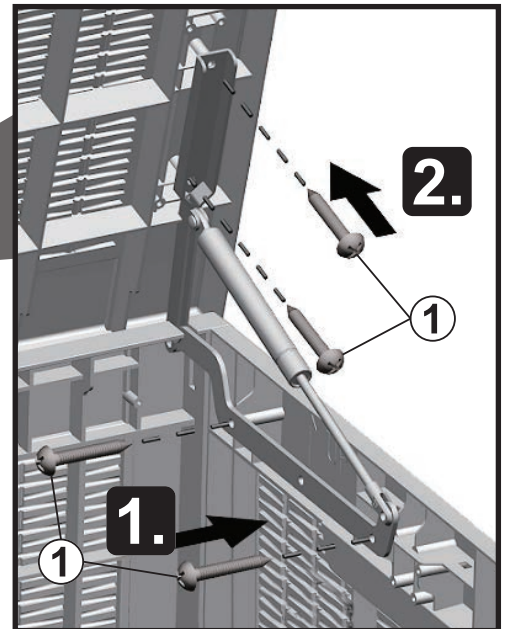
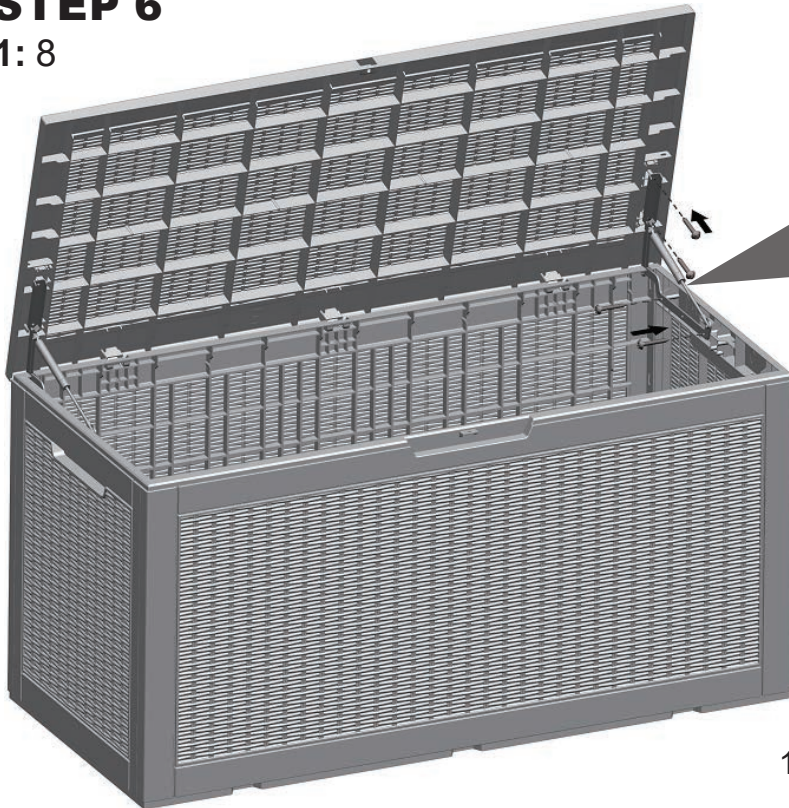
H:2



Carefully unfold Gas Spring (H) and slide it into the notch on the back panel as shown.

STEP 6

1: 8



1. Secure the bottom of the gas spring to the side panel using two M3.9x19mm Screws (1).
2. Secure the top of the gas spring to the lid using two M3.9x19mm Screws (1).

Repeat Step 5 & 6 to attach the second gas spring.

Care & Maintenance

SAFE USE: Do not stand on the deck box. **DO NOT** allow children or pets to play on **OR** inside the **storage box**. Lock the deck box when not in use (lock not included).

CLEAN: Periodically washing the unit will maintain a fresh appearance and prevent damage that may result from the build-up of dust and debris.

INSPECT: Occasionally check the deck box to ensure all components are firmly secured and resin is intact.

WINTER CARE: Store indoors during freezing conditions. Covering with a breathable cover while in storage will help prevent dust and debris build-up.

Cleaning

Regular cleaning keeps your resin furniture looking stunning for many Sunnydaze to come!

Do not use harsh chemicals or abrasive materials to clean the furniture.

 **DO NOT USE BLEACH**

 **DO NOT USE A PRESSURE WASHER**

IMPORTANT: The gas spring must remain clean and dry to function properly. Do not let water or cleaners get into the gas spring while cleaning the unit.

- Brush, vacuum, or use a garden hose to remove loose dirt and debris.
- Mix 1/4 cup of soap or a mild detergent with 1 gallon of warm water. Use a soft-bristle brush to scrub dirt and grime from the surfaces.
- Thoroughly rinse the unit; spray with a garden hose or use a bucket of water to rinse all traces of soap residue from the unit.
- Dry the unit with a soft, lint-free cloth.

SAFETY STATEMENTS & WARNINGS

- Do not stand on any part of this storage box.
- Do not exceed the weight capacity of the unit.
- Do not use this item in the proximity of open flame or flammable/combustible chemicals.
- Keep furniture a safe distance from heat sources such as fire pits, patio heaters, and grills.
- Do not allow children to use this product.
- Locking the unit when adults are not present is recommended (lock not included).
- Do not use harsh chemicals or abrasive materials to clean this unit.
- This product is for residential use only; institutional or commercial use will void this warranty.

Any modification to the product or failure to follow recommended care will void the product warranty.

WARNING!

Manufacturer and seller expressly disclaim any and all liability from personal injury, property damage or loss, whether direct or indirect, or incidental, resulting from the incorrect attachment, improper use, inadequate maintenance, or neglect of this product.