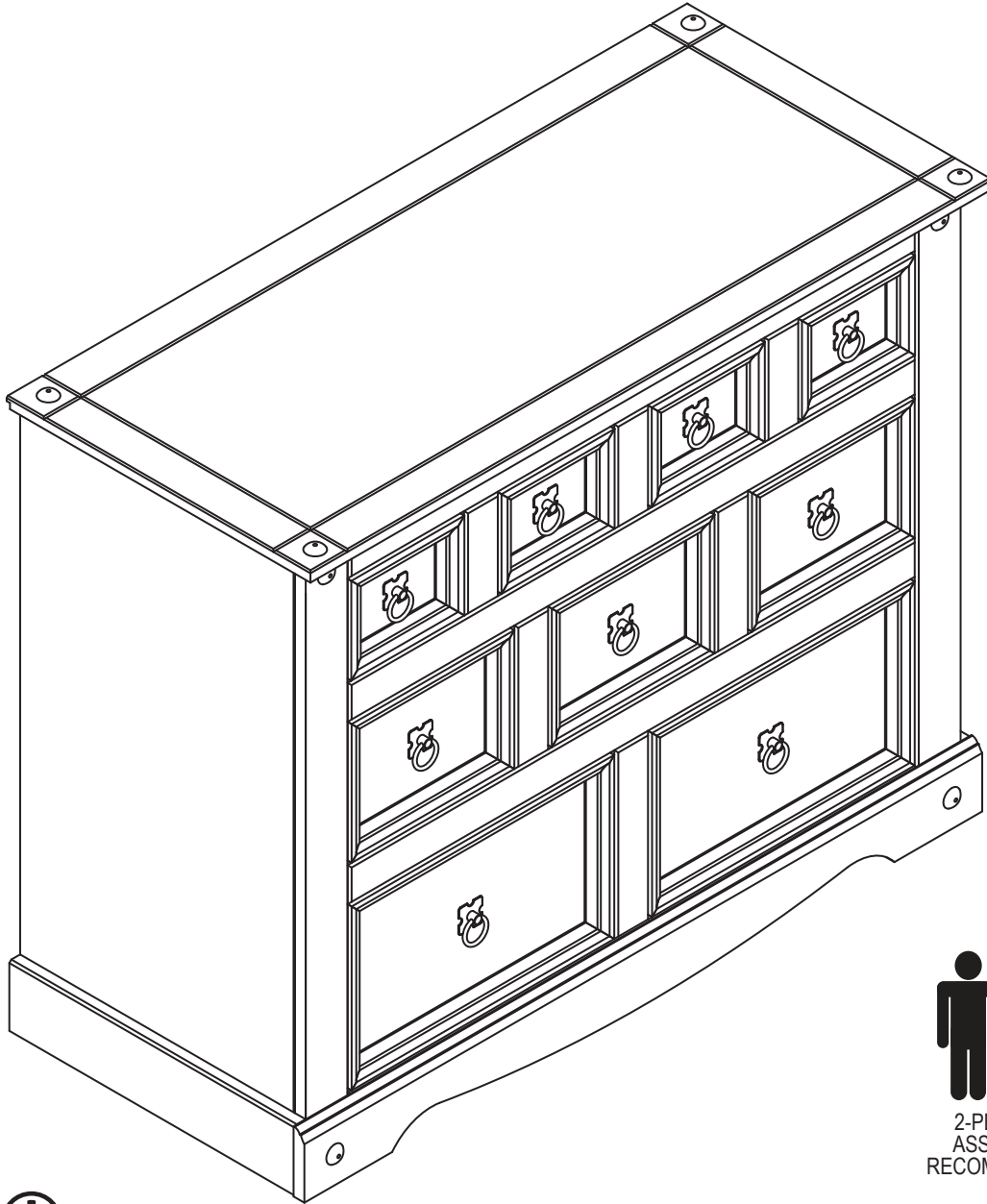


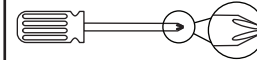
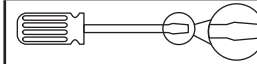
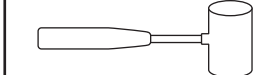
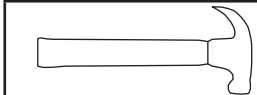

9-DRAWER CHEST AGR-393

Carefully review assembly and care instructions before using this product. Save this document for future reference.
Assemble components on a soft, clean surface to avoid scratching or damaging the finish.



Inspect packaging to ensure all parts are accounted for before disposing of packing materials.
Save the packing slip.

TOOLS REQUIRED (not included)

	Phillips Screwdriver
	Regular Screwdriver
	Rubber Mallet
	Hammer
	Power Drill, 6mm Drill Bit, 2mm Drill Bit <i>(only use for installing wall anchor kit)</i>

**SCAN THIS CODE
WITH YOUR
SMARTPHONE
TO VIEW OUR
ASSEMBLY VIDEO**



2-PERSON
ASSEMBLY
RECOMMENDED

! HELPFUL HINTS

Sunnydaze Decor advises reviewing this manual fully, and assembling the unit soon after purchase. Check that all parts are accounted for and familiarize yourself with the assembly before beginning.

SAVE THIS MANUAL FOR FUTURE REFERENCE.

INTRODUCTION

Read the manual carefully to ensure you fully understand all use, care, assembly, and safety information.



Read this manual carefully and follow the assembly instructions in the order listed. Pay close attention to assembly drawings.



Regularly clean with a clean microfiber cloth to prevent dust accumulation.



Do not paint the unit.
Do not use abrasive materials or cleaners to clean the furniture.



Indoor use only.
Do not expose the furniture to heat or humidity.



When cleaning nearby the furniture, do not allow contact with water or cleaners as it may deteriorate the furniture.



Do not allow metal components to come in contact with water or cleaners as it may cause rust and staining.



Assemble on a soft, flat, clean, and dry surface.



Use a soft, protective barrier when assembling the furniture.

TIP: Use the box carton as a protective layer to separate and protect the parts from scratches and other damage during assembly.

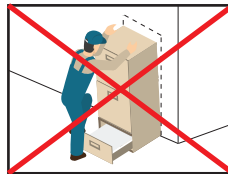


Do not push or drag furniture as doing so may damage the unit.

Only move furniture when it is empty.

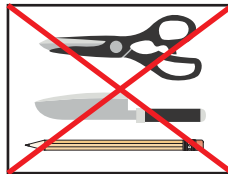


Always ask for help when moving furniture.



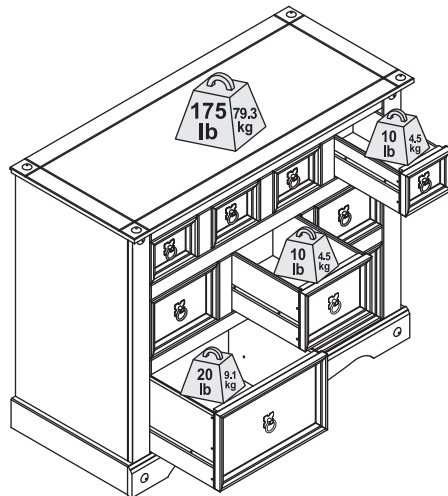
Avoid Accidents - Do not climb, sit or stand on the furniture.

Do not allow children to play on or inside the furniture.



Keep sharp objects away as they may scratch or damage the unit.

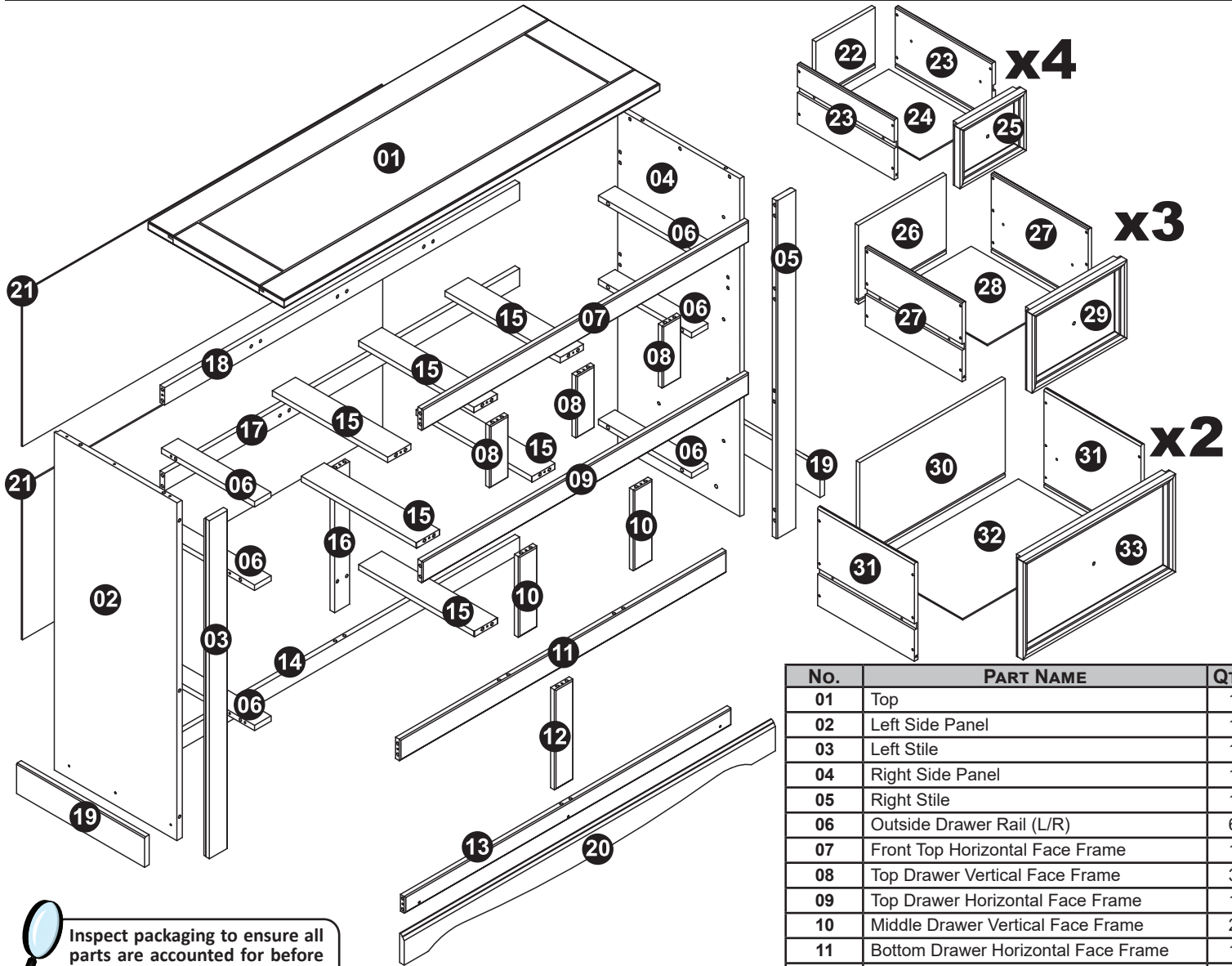
Do not use the furniture as a writing surface without a padded barrier.





⚠ WARNING:

Manufacturer and seller expressly disclaim any and all liability from personal injury, property damage or loss, whether direct or indirect, or incidental, resulting from the incorrect attachment, improper use, inadequate maintenance, or neglect of this product.











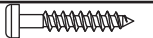
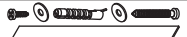

COMPONENTS



 Inspect packaging to ensure all parts are accounted for before disposing of packing materials.
 Save the packing slip.



WARNING
CHOKING HAZARD—
 This item contains small parts that can be swallowed. Keep children and pets away during assembly.

No.	HARDWARE	QTY.
A	 Wood Dowel	102
B	 M4.5x28mm Pan Screw	43
C	 Connector	12
D	 Handle Set	9
E	 M3.5x30mm Flat Screw	80
F	 Tack	8
G	 M3.5x25mm Pan Screw	20
H	 M3.5x14mm Flat Screw	54
J	 Drawer Slide	18
K	 M4x8mm Bolt	18
L	 M4.5x25mm Pan Screw	6
Y	 Wall Anchor Kit	1
Z	 8x8mm Nail	44

No.	PART NAME	QTY.
01	Top	1
02	Left Side Panel	1
03	Left Stile	1
04	Right Side Panel	1
05	Right Stile	1
06	Outside Drawer Rail (L/R)	6
07	Front Top Horizontal Face Frame	1
08	Top Drawer Vertical Face Frame	3
09	Top Drawer Horizontal Face Frame	1
10	Middle Drawer Vertical Face Frame	2
11	Bottom Drawer Horizontal Face Frame	1
12	Bottom Drawer Vertical Face Frame	1
13	Bottom Horizontal Frame	1
14	Back Bottom Horizontal Support	1
15	Center Drawer Rail	6
16	Back Bottom Vertical Support	1
17	Back Center Horizontal Support	1
18	Back Top Horizontal Support	1
19	Side Trim Board (L/R)	2
20	Front Trim Board	1
21	Backing Board	2
22	Small Drawer Back	4
23	Small Drawer Side (L/R)	8
24	Small Drawer Bottom	4
25	Small Drawer Face	4
26	Medium Drawer Back	3
27	Medium Drawer Side (L/R)	6
28	Medium Drawer Bottom	3
29	Medium Drawer Face	3
30	Large Drawer Back	2
31	Large Drawer Side (L/R)	4
32	Large Drawer Bottom	2
33	Large Drawer Face	2

ASSEMBLY

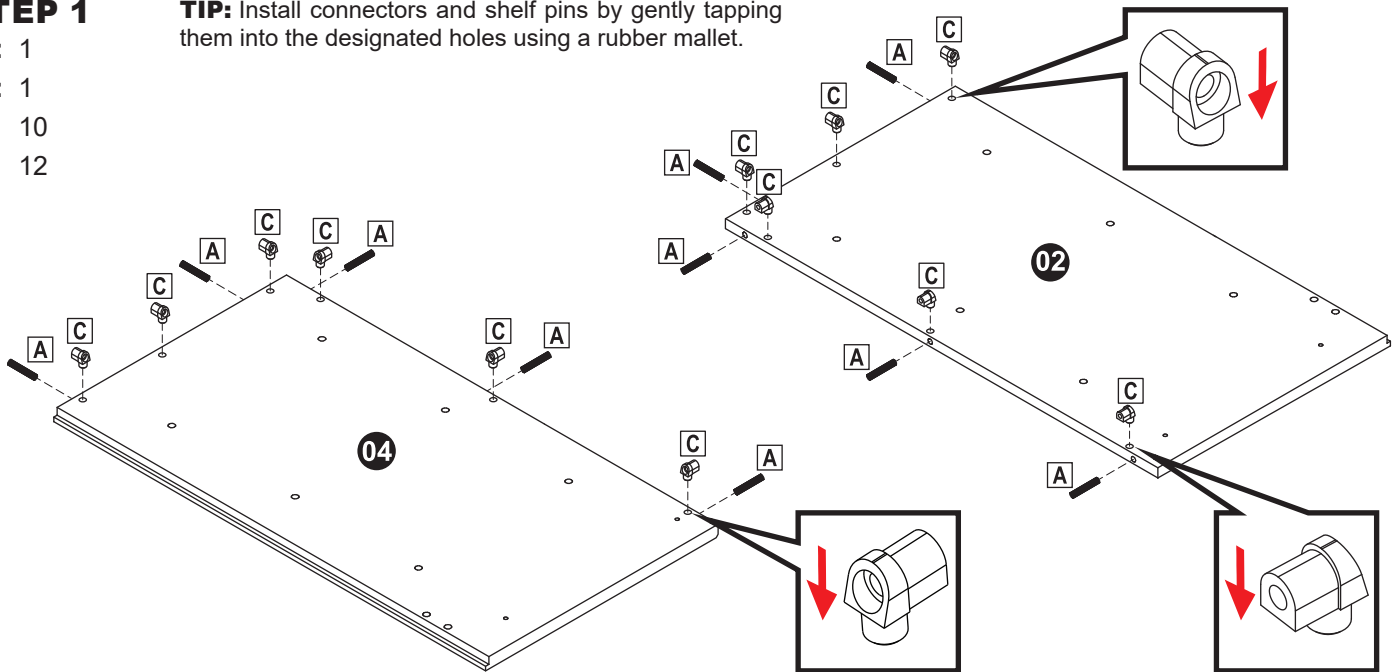
Carefully review all steps and fully understand assembly before beginning.

IMPORTANT: Take care not to over-tighten screws as doing so may crack the wood or strip the screw hole, causing a weak connection and reduced stability.

STEP 1

TIP: Install connectors and shelf pins by gently tapping them into the designated holes using a rubber mallet.

- 02: 1
- 04: 1
- A: 10
- C: 12



Locate and lay out Left Side Panel (02) and Right Side Panel (04).

Install components as shown in the diagrams and noted below:

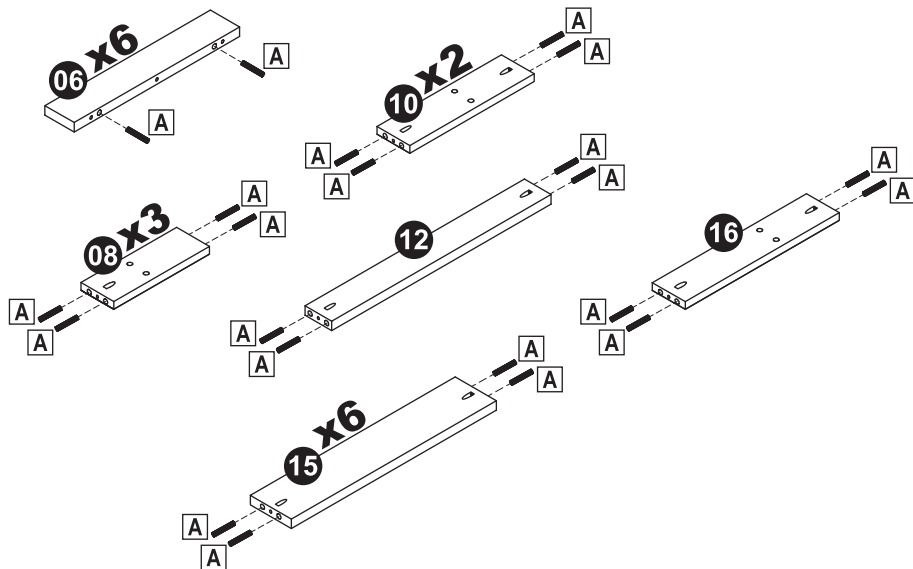
Left Side Panel (02), install five Wood Dowels (A) and six Connectors (C).

Right Side Panel (04), install five Wood Dowels (A) and six Connectors (C).

Set components aside.

STEP 2

- 06: 6
- 08: 3
- 10: 2
- 12: 1
- 15: 6
- 16: 1
- A: 64



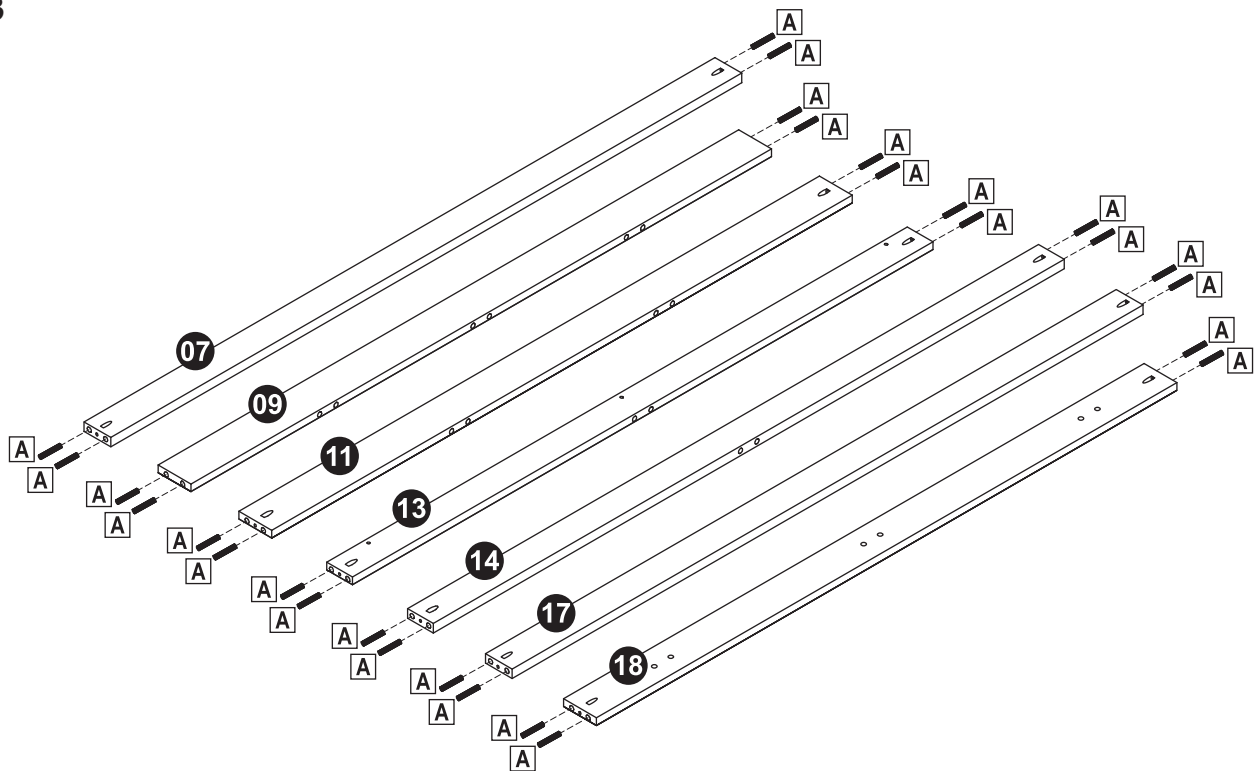
Install two Wood Dowels (A) into the long side of each Outside Drawer Rail (06), six rails total.

Install two Wood Dowels (A) into each end of these components: three Top Drawer Vertical Face Frames (08), two Middle Drawer Vertical Face Frames (10), one Bottom Drawer Vertical Face Frame (12), six Center Drawer Rails (15), and one Back Bottom Vertical Support (16).

Set components aside, label if necessary.

STEP 3

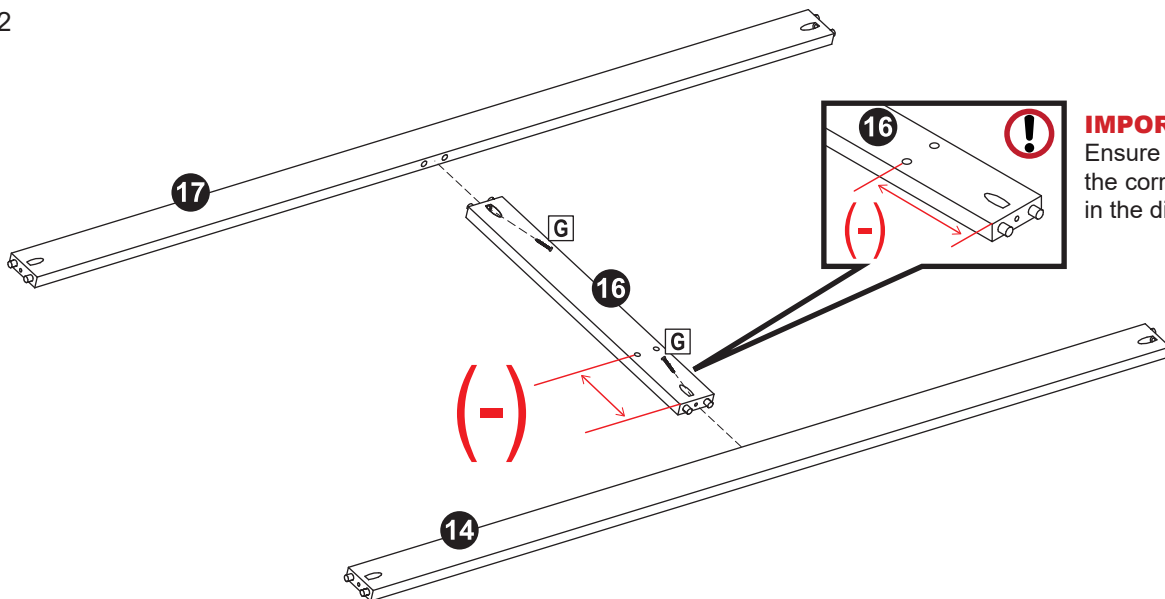
07: 1
09: 1
11: 1
13: 1
14: 1
17: 1
18: 1
A: 28



Install two Wood Dowels (A) into each end of the these components: Front Top Horizontal Face Frame (07), Top Drawer Horizontal Face Frame (09), Bottom Drawer Horizontal Face Frame (11), Bottom Horizontal Frame (13), Back Bottom Horizontal Support (14), Back Center Horizontal Support (17), and Back Top Horizontal Support (18). Set components aside, label if necessary.

STEP 4

G: 2



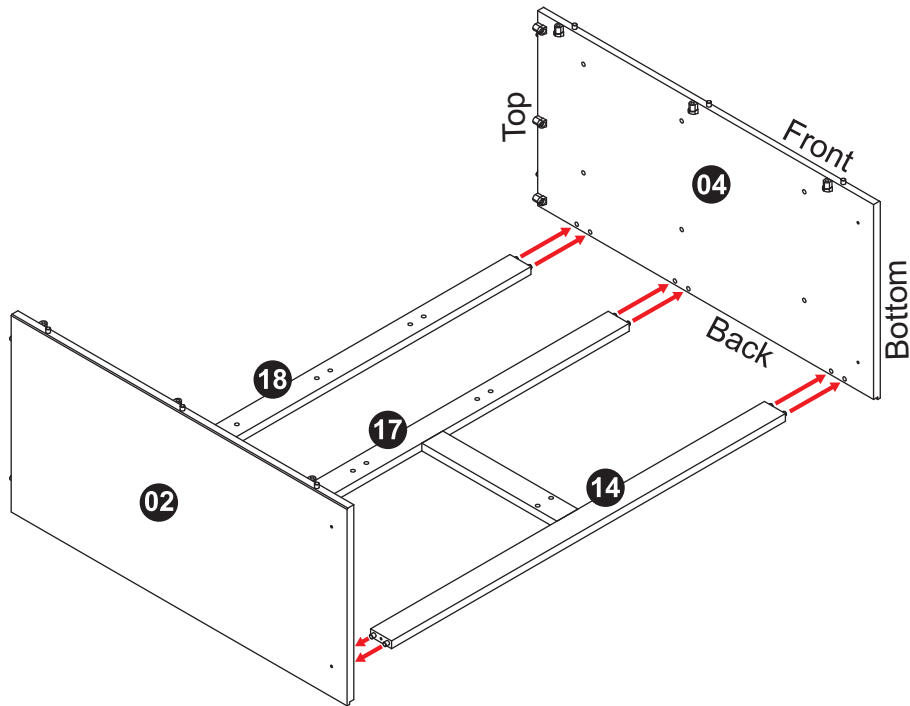
IMPORTANT: Ensure Part 16 is installed in the correct direction, as shown in the diagram.

With the angled mounting holes facing upward, lay out Back Bottom Horizontal Support (14), Back Bottom Vertical Support (16), and Back Center Horizontal Support as shown. **NOTE:** Notice there is a shorter space between the mounting holes and one end on Part 16, this edge must be installed toward Part 14.

After components are aligned as shown above, secure using two M3.5x25mm Pan Screws (G).

Flip these assembled components over.

STEP 5



NOTE: Components shown in this step will be secured with hardware in Step 7.

Identify the front, back, top and bottom of each component shown.

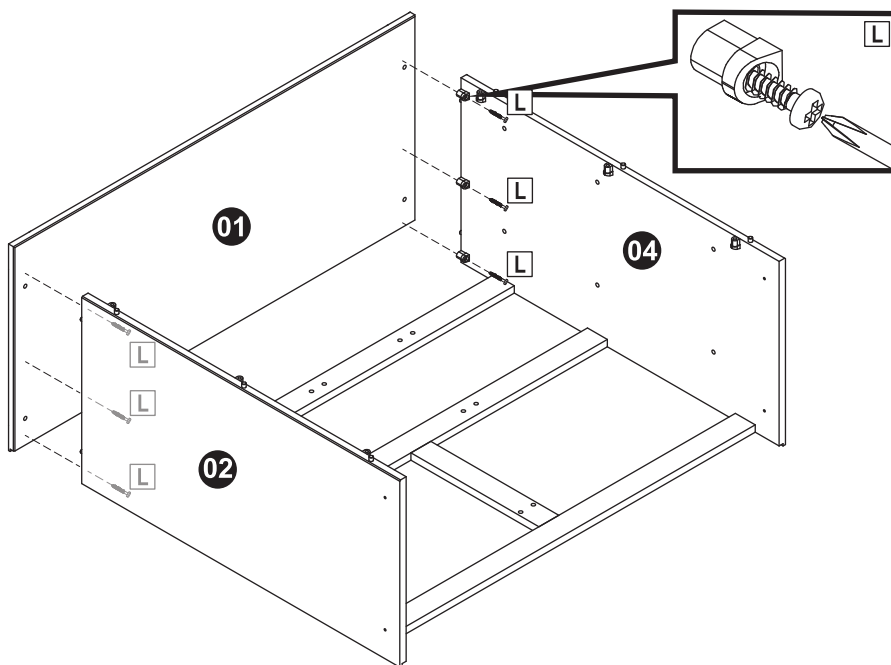
Place the backside support pieces (18,17,14) on a smooth, clean surface with the angled holes facing down.

Ensuring Part 14 is on the bottom and Part 18 is on top, align the dowels with the back side of the side panels (02,04).

STEP 6

01: 1

L: 6



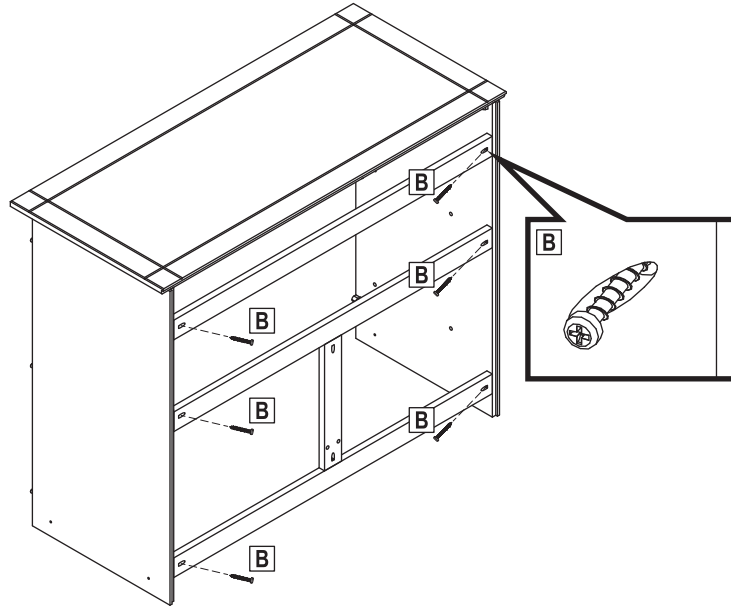
IMPORTANT:

Ensure the side panels and backside supports are tight against each other before securing the screws into the top.

Align Top (01) with the top of the side panels and secure using six M4.5x25mm Pan Screws (L).

STEP 7

B: 6

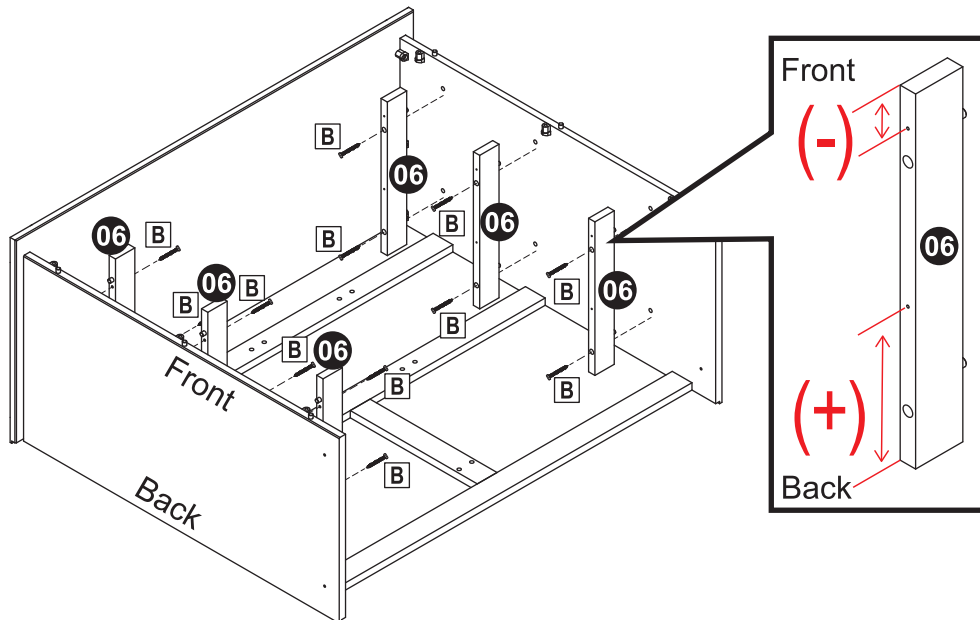


Carefully flip the unit upright.

Secure the backside supports using six M4.5x28mm Pan Screws (B), as shown.

STEP 8

B: 12



IMPORTANT:

Ensure the drawer rails are installed in the correct direction, as indicated in the diagrams.

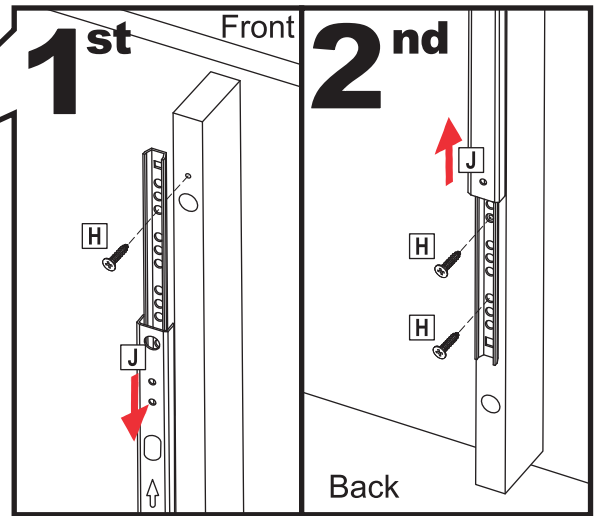
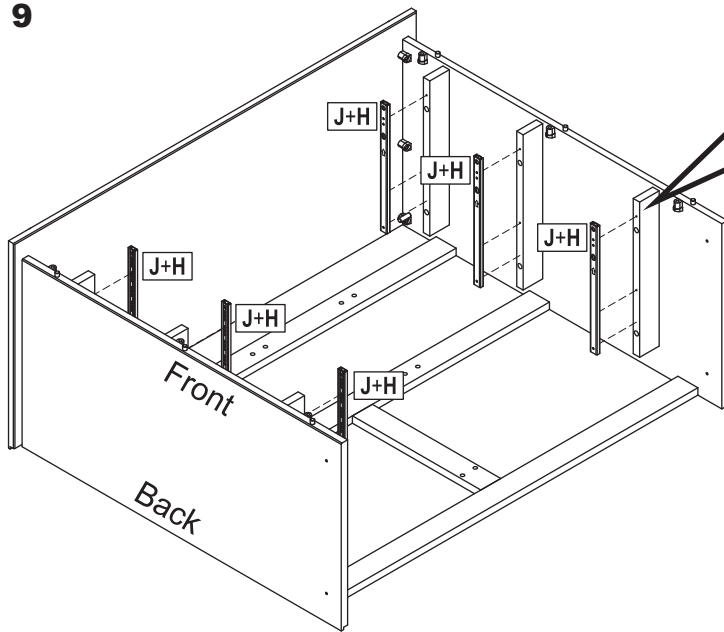
Identify the two indents on Outside Drawer Rails (06), the indent with the shortest distance between the indent and the edge of the rail must be installed toward the front of the cabinet.

Secure three Drawer Rails (06) to each side of the cabinet using two M4.5x28mm Pan Screws (B) for each rail.

STEP 9

H: 18

J: 6



IMPORTANT:

The arrow on the drawer slide must point toward the front of the cabinet.

Ensure the drawer slide remains centered on the drawer rail; if the slides are not centered, the drawer will be crooked.

Push the front of one Drawer Slide (J) backward. Align the 3rd round hole on the front of the drawer slide with the front indent on the drawer rail and secure using one M3.5x14mm Flat Screw (H).

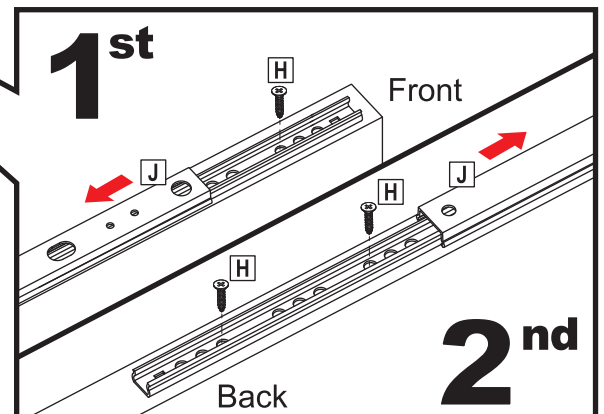
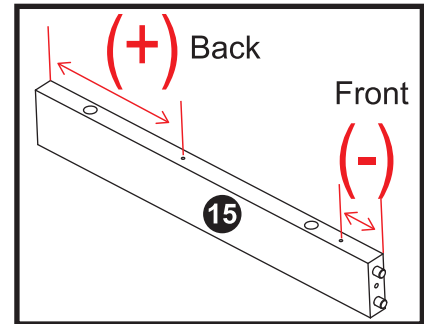
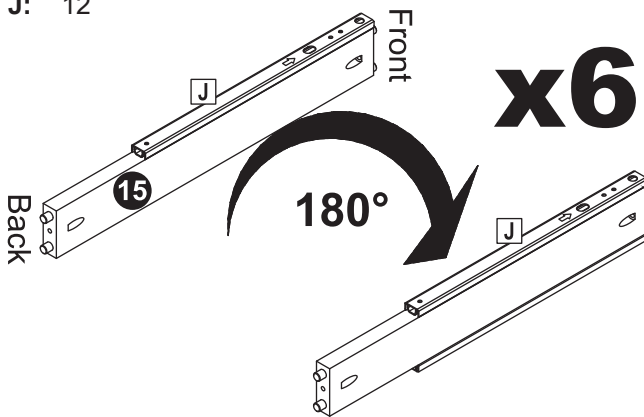
Push the drawer slide forward to expose the holes on the back of the drawer slide, the backside indent will align with the 7th round hole from the back of the slide. Ensuring the slide is centered on the rail, secure the 7th hole, then the 3rd hole using M3.5x14mm Flat Screws (H).

Repeat this process to secure drawer slides to the five remaining rails.

STEP 10

H: 36

J: 12



Locate six Center Drawer Rails (15). Identify the two indents on rails, the indent with the shortest distance between the indent and the edge of the rail is the front side of the rail.

Push the front of one Drawer Slide (J) backward. Align the 3rd round hole on the front of the drawer slide with the front indent on the drawer rail and secure using one M3.5x14mm Flat Screw (H).

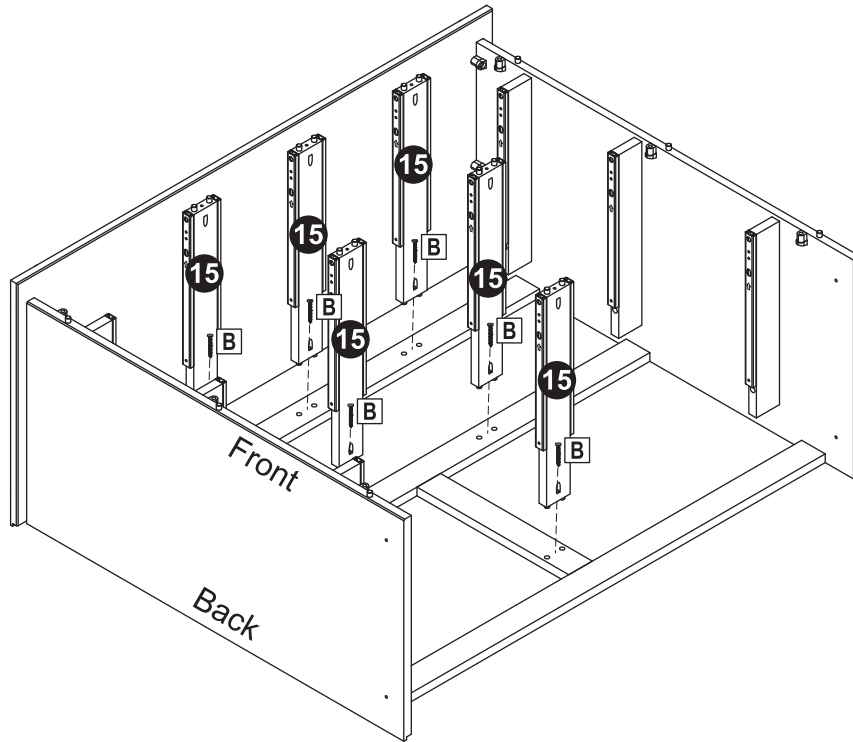
Push the drawer slide forward to expose the holes on the back of the drawer slide, the backside indent will align with the 7th round hole from the back of the slide. Ensuring the slide is centered on the rail, secure the 7th hole, then the 3rd hole using M3.5x14mm Flat Screws (H).

Flip the rail over and repeat this process to secure another slide to the other side of the rail.

Repeat this process to secure two sets of drawer slides to the five remaining rails.

STEP 11

B: 6



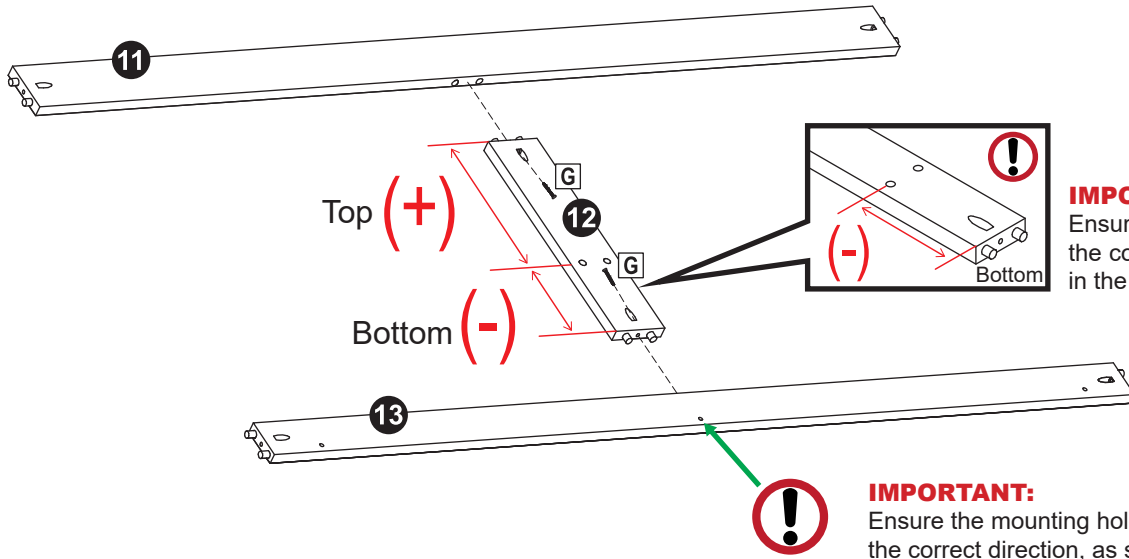
IMPORTANT:

Ensure Part 15 is installed in the correct direction, as shown in the diagram.

Ensuring the drawer slides are toward the front, install six Center Drawer Rails (15) into the back supports as shown. Secure each rail to the back supports using M4.5x28mm Pan Screws (B).

STEP 12

G: 2

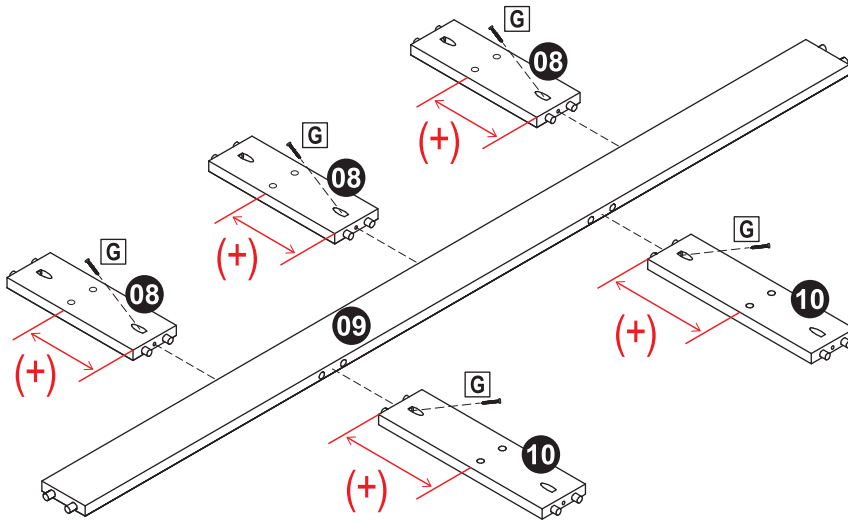


With the angled mounting holes facing upward, lay Bottom Drawer Horizontal Face Frame (11), Bottom Drawer Vertical Face Frame (12), and Bottom Horizontal Frame (13) as shown. **NOTE:** Notice there is a shorter gap between the mounting holes and one end on Part 12, this edge must be installed toward Part 13.

After components are aligned as shown above, secure using two M3.5x25mm Pan Screws (G).

STEP 13

G: 5



IMPORTANT:

Ensure the vertical face frames are installed in the correct direction, as shown in the diagram.

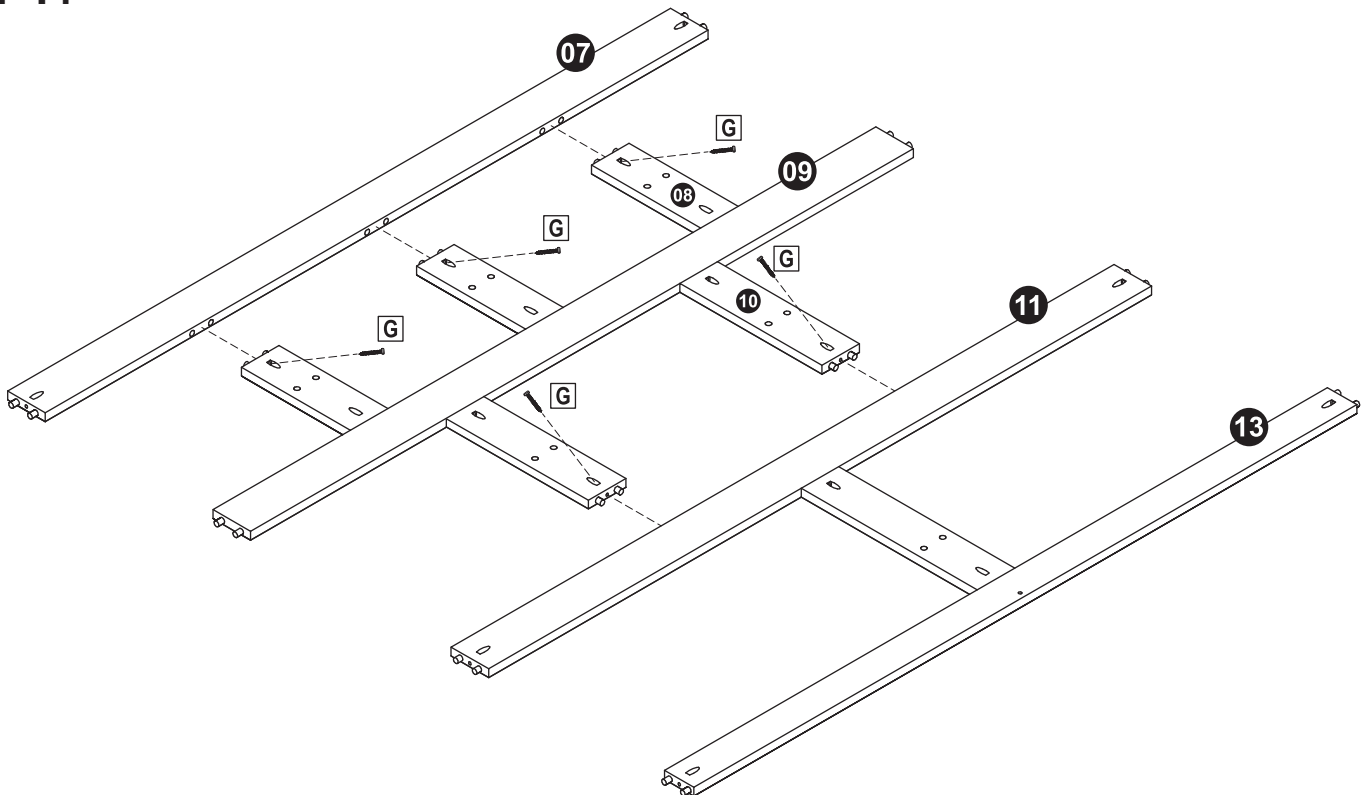
Installation direction is very important in this step. Identify the longer gap between the dowel mounting holes and the edge of Top Drawer Vertical Face Frames (08) and Middle Drawer Vertical Face Frames (10).

With the angled mounting holes facing upward, align three Top Drawer Vertical Face Frames (08) and two Middle Drawer Vertical Face Frame (10) with Top Drawer Horizontal Face Frame (09).

After components are aligned as shown above, secure the components using M3.5x25mm Pan Screws (G).

STEP 14

G: 5



With the angled mounting holes facing upward, align Front Top Horizontal Face Frame (07) with Parts 8.

With the angled mounting holes facing upward, align Bottom Drawer Horizontal Face Frame (11) with Parts 10.

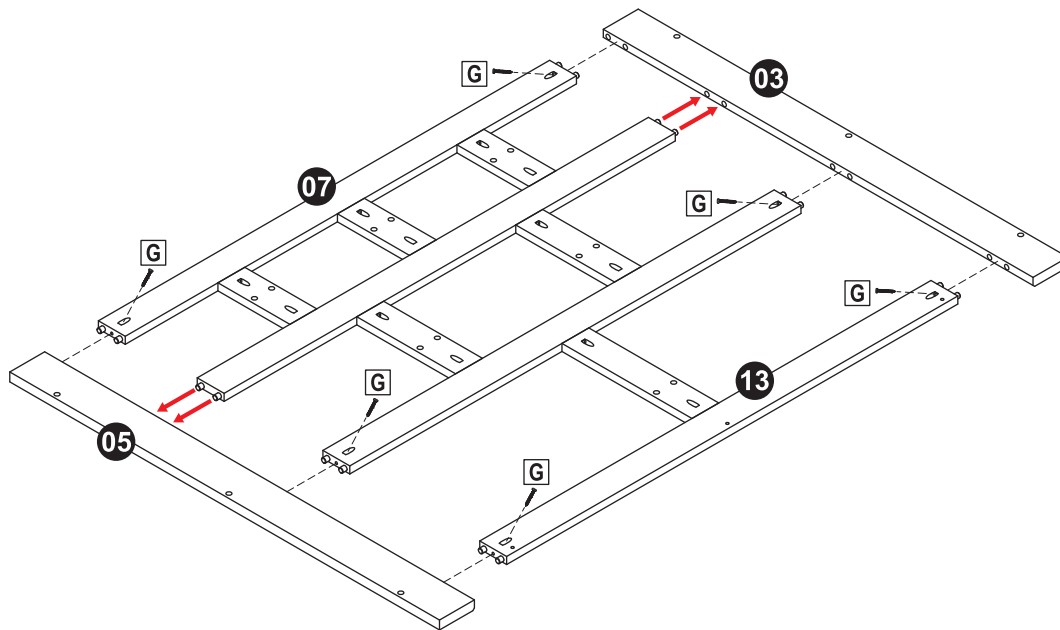
After components are aligned, secure using M3.5x25mm Pan Screws (G), as shown.

STEP 15

03: 1

05: 1

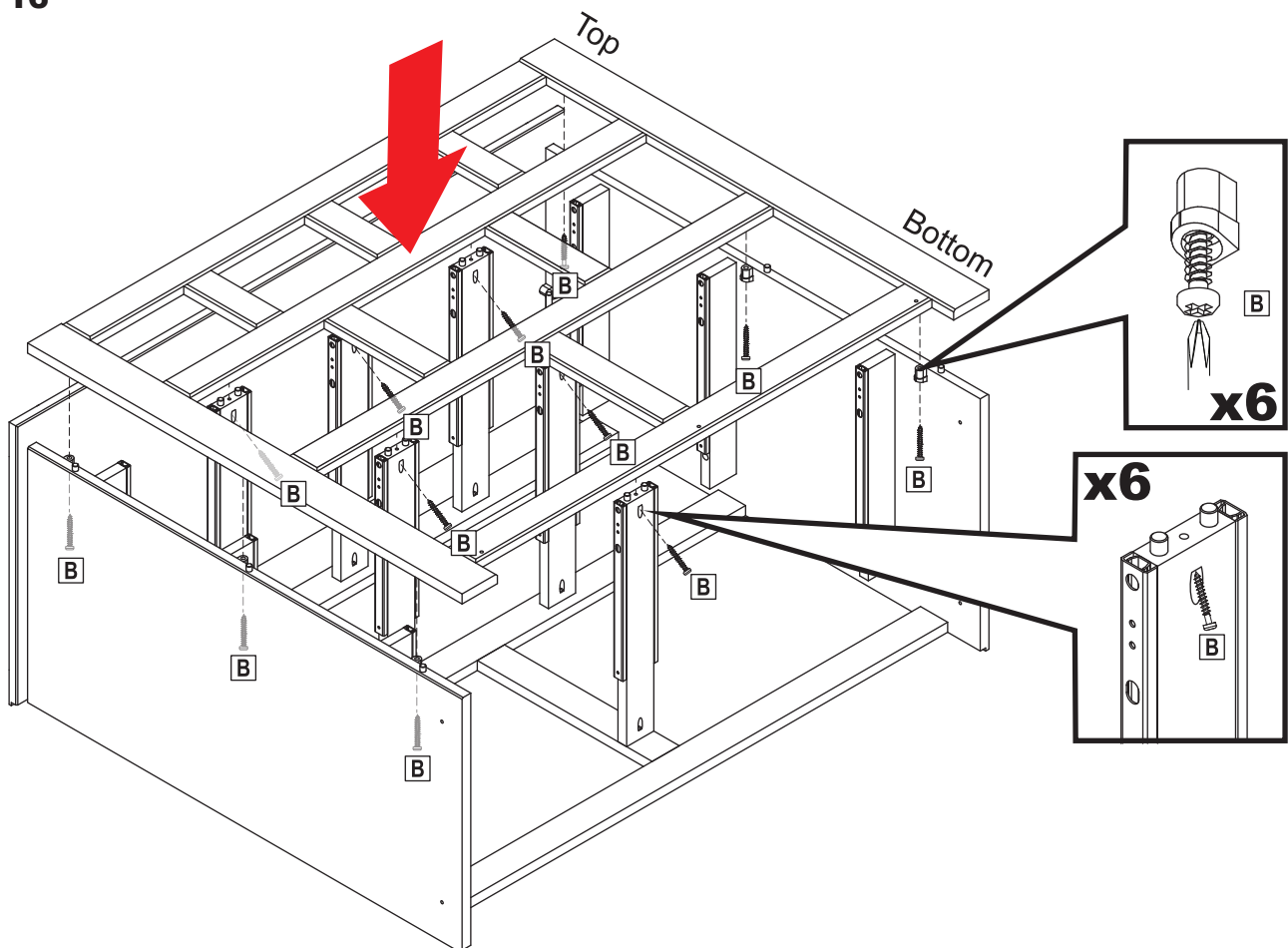
G: 6



With the dowel mounting holes facing upward, align the Left and Right Stiles (03,05) with the front face frames. Secure each side using three M3.5x25mm Pan Screws (G), as shown.

STEP 16

B: 12



Align the assembled front frame with the cabinet, as shown.

Secure the side panels of the cabinet to the stiles using six M4.5x28mm Pan Screws (B).

Then, secure the center drawer rails to the vertical face frames using six M4.5x28mm Pan Screws (B).

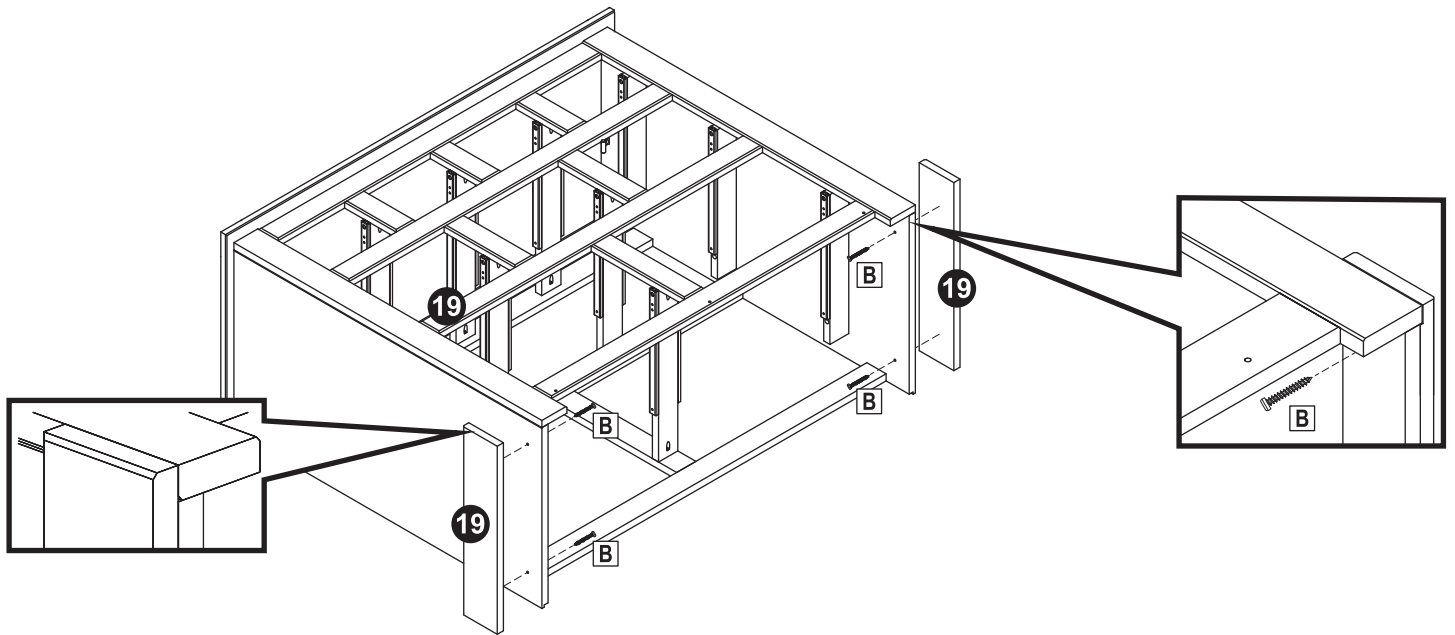
STEP 17

19: 2

B: 4



Assistance is recommended for this step.



Align two Side Trim Boards (19) with the bottom of the unit, as shown. To ensure the trim boards remain flush with the unit, have an assistant hold them firmly in place while the hardware is secured. From the inside of the side panels, secure each trim board using two M4.5x28mm Pan Screws (B).

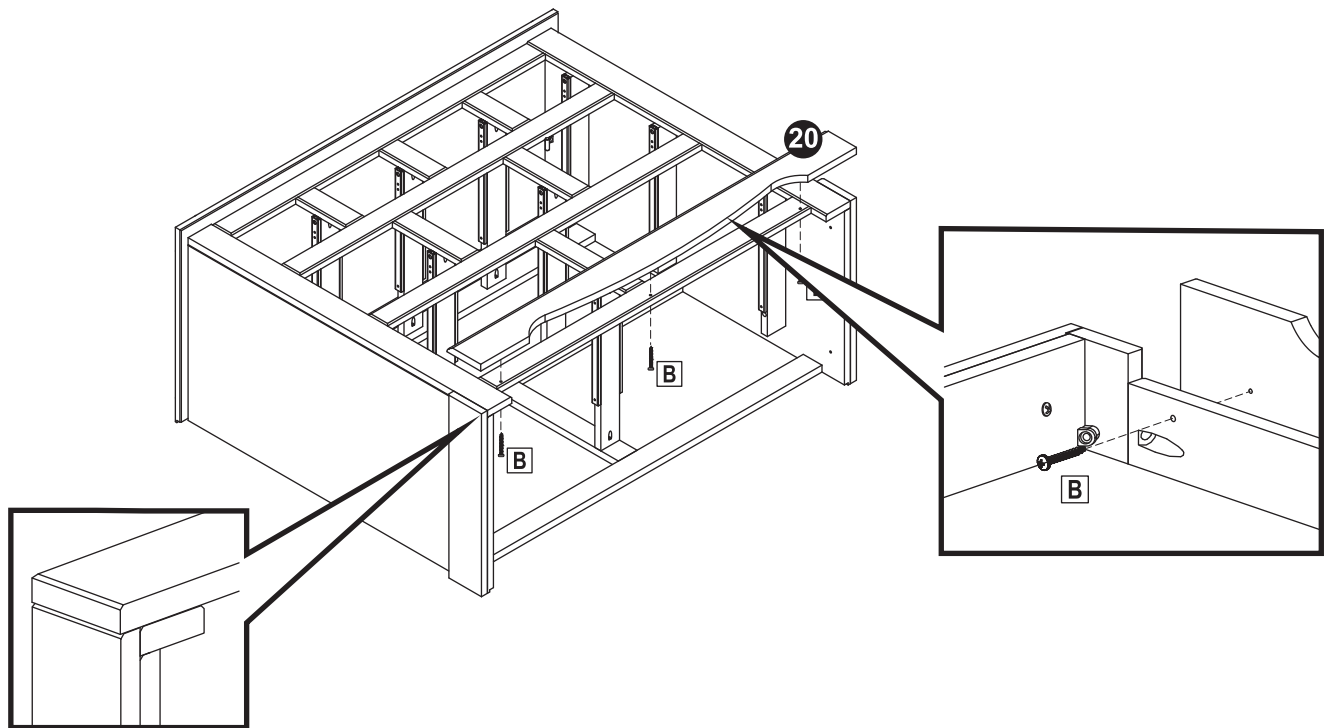
STEP 18

20: 1

B: 3



Assistance is recommended for this step.



Align Front Trim Board (20) with the bottom, front of the unit. To ensure the trim board remains flush with the unit, have an assistant hold it firmly in place while the hardware is secured. From the backside of the bottom horizontal frame, secure the trim board using three M4.5x28mm Pan Screws (B).

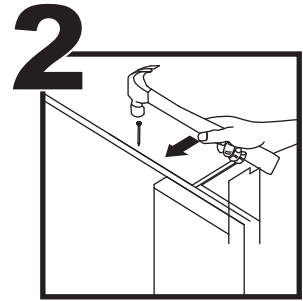
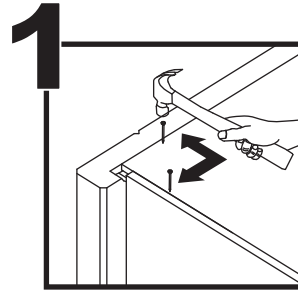
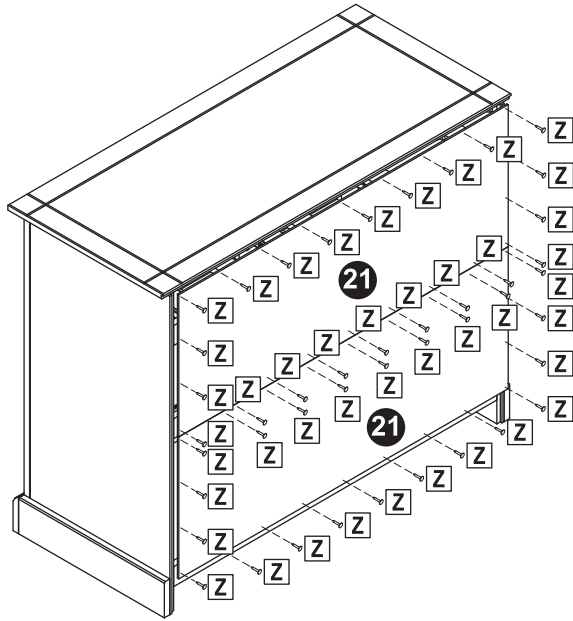
STEP 19

21: 2

Z: 44



Assistance is recommended for this step.



Gently lay the unit face-down on a soft, clean surface.

Place two Backing Boards (21) onto the back of the unit, ensuring they are snug within the lips of the top and side panels.

Secure the backing board using forty-four 8x8mm Nails (Z).

STEP 20

22: 4

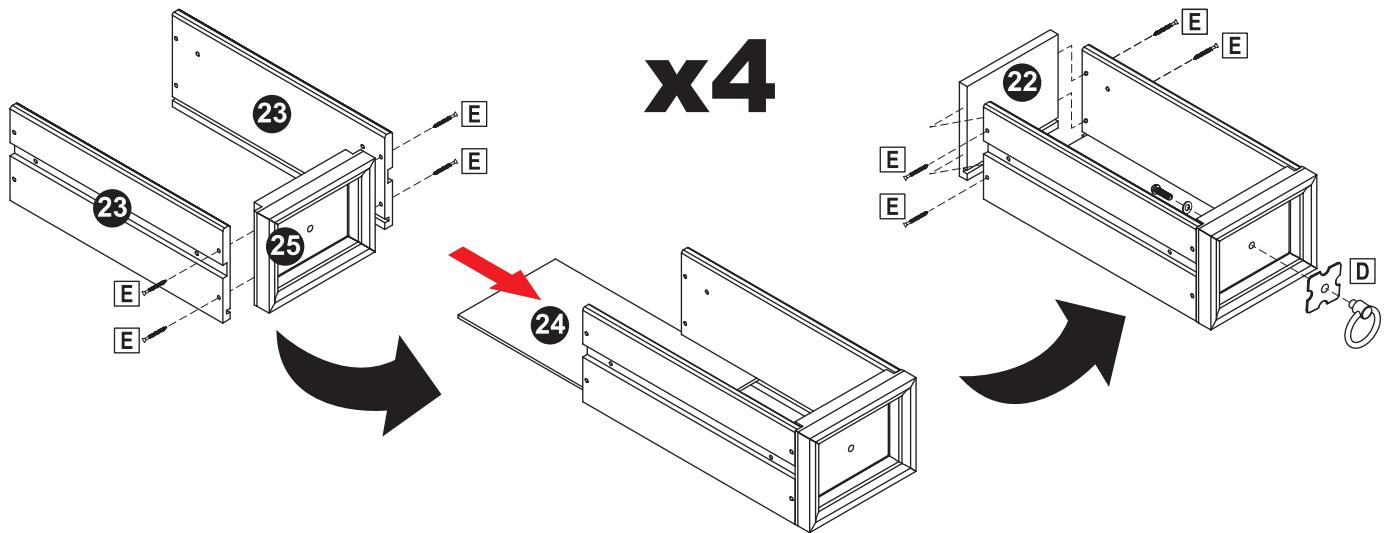
23: 8

24: 4

25: 4

D: 4

E: 32



Ensuring the inside grooves align, secure two Small Drawer Sides (23) to Small Drawer Face (25) using four M3.5x30mm Flat Screws (E).

Slide Small Drawer Bottom (24) into the grooves, as shown.

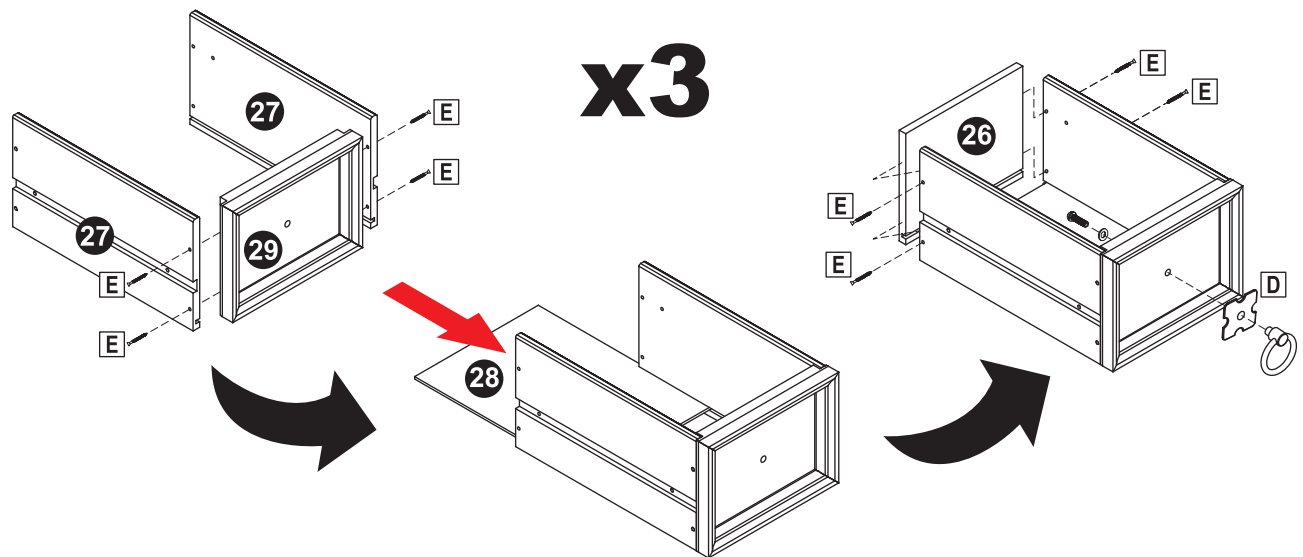
Secure Small Drawer Back (22) to the drawer sides using four M3.5x30mm Flat Screws (E).

Ensuring the handle and handle plate remain straight, install one Handle Set (D) to the drawer face, as shown.

Repeat this process to assemble the three remaining small drawers.

STEP 21

26: 3
27: 6
28: 3
29: 3
D: 3
E: 24



Ensuring the inside grooves align, secure two Medium Drawer Sides (27) to Medium Drawer Face (29) using four M3.5x30mm Flat Screws (E).

Slide Medium Drawer Bottom (28) into the grooves, as shown.

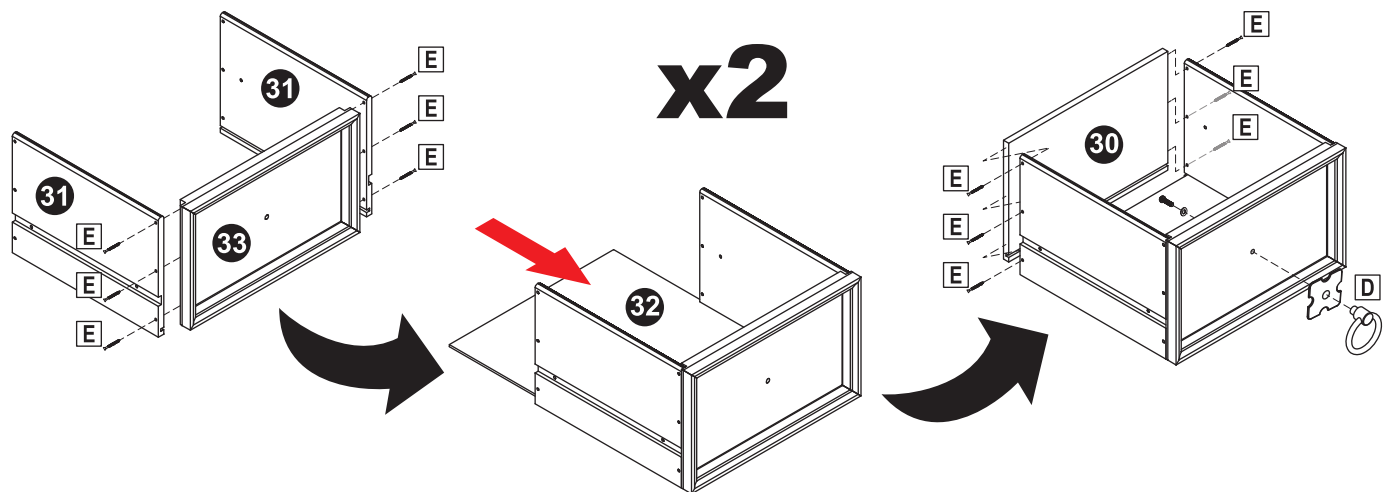
Secure Medium Drawer Back (26) to the drawer sides using four M3.5x30mm Flat Screws (E).

Ensuring the handle and handle plate remain straight, install one Handle Set (D) to the drawer face, as shown.

Repeat this process to assemble the two remaining medium drawers.

STEP 22

30: 2
31: 4
32: 2
33: 2
D: 2
E: 24



Ensuring the inside grooves align, secure two Large Drawer Sides (31) to Large Drawer Face (33) using six M3.5x30mm Flat Screws (E).

Slide Large Drawer Bottom (32) into the grooves, as shown.

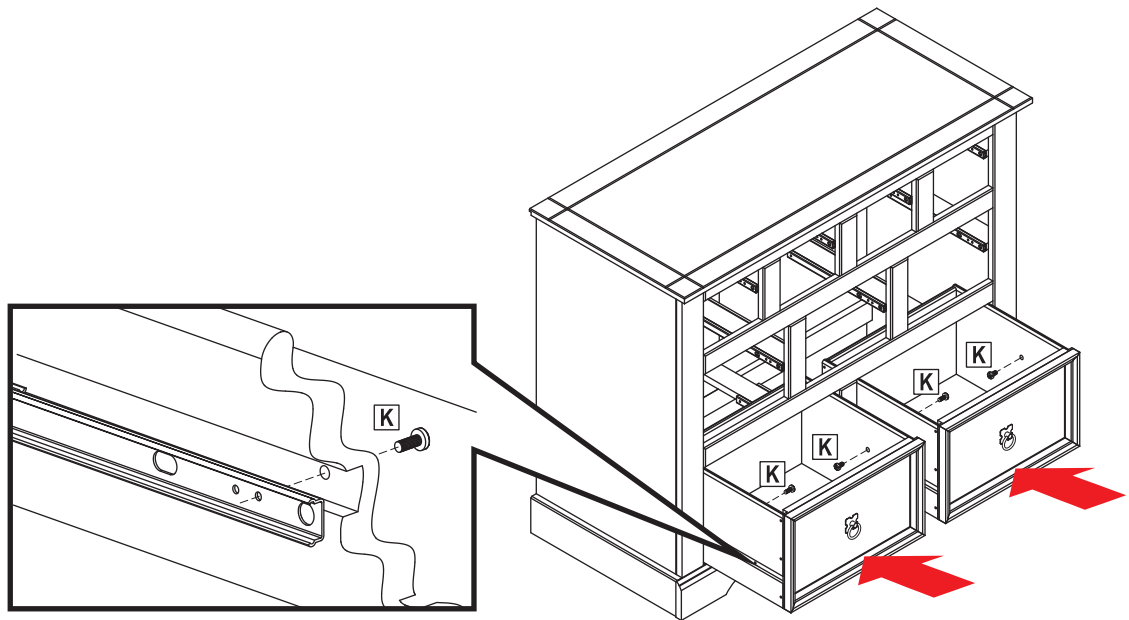
Secure Large Drawer Back (30) to the drawer sides using six M3.5x30mm Flat Screws (E).

Ensuring the handle and handle plate remain straight, install one Handle Set (D) to the drawer face, as shown.

Repeat this process to assemble the remaining large drawer.

STEP 23

K: 4

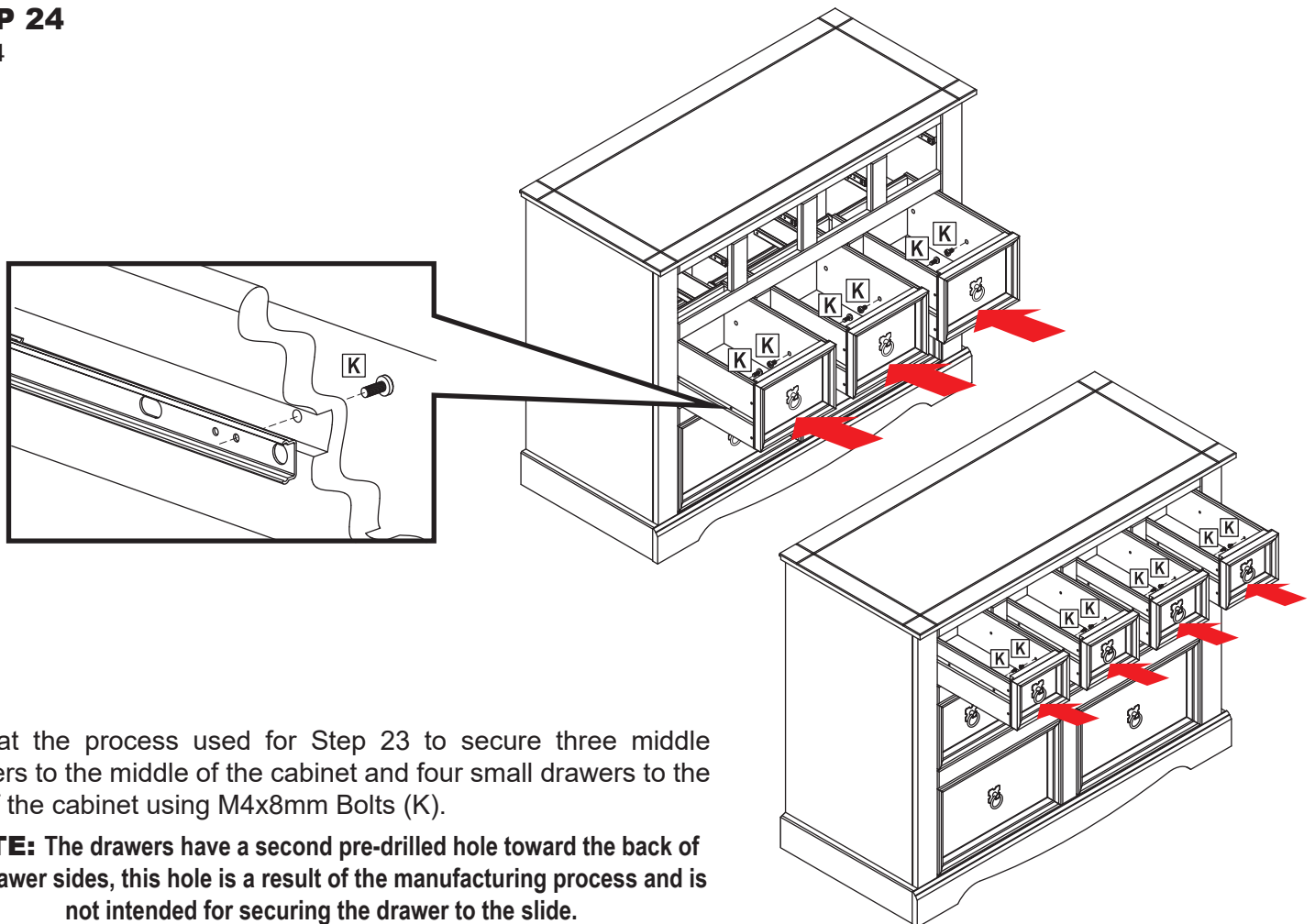


Working one drawer at a time, extend the drawer slides out from the bottom row cabinet. Align the first small hole on the drawer slide with the pre-drilled hole on the front of the drawer sides. From the inside of the drawer, secure the drawer to the slide using one M4x8mm Bolt (K). Repeat to secure the other side of the drawer to the other slide.

NOTE: The drawers have a second pre-drilled hole toward the back of the drawer sides, this hole is a result of the manufacturing process and is not intended for securing the drawer to the slide.

STEP 24

K: 14

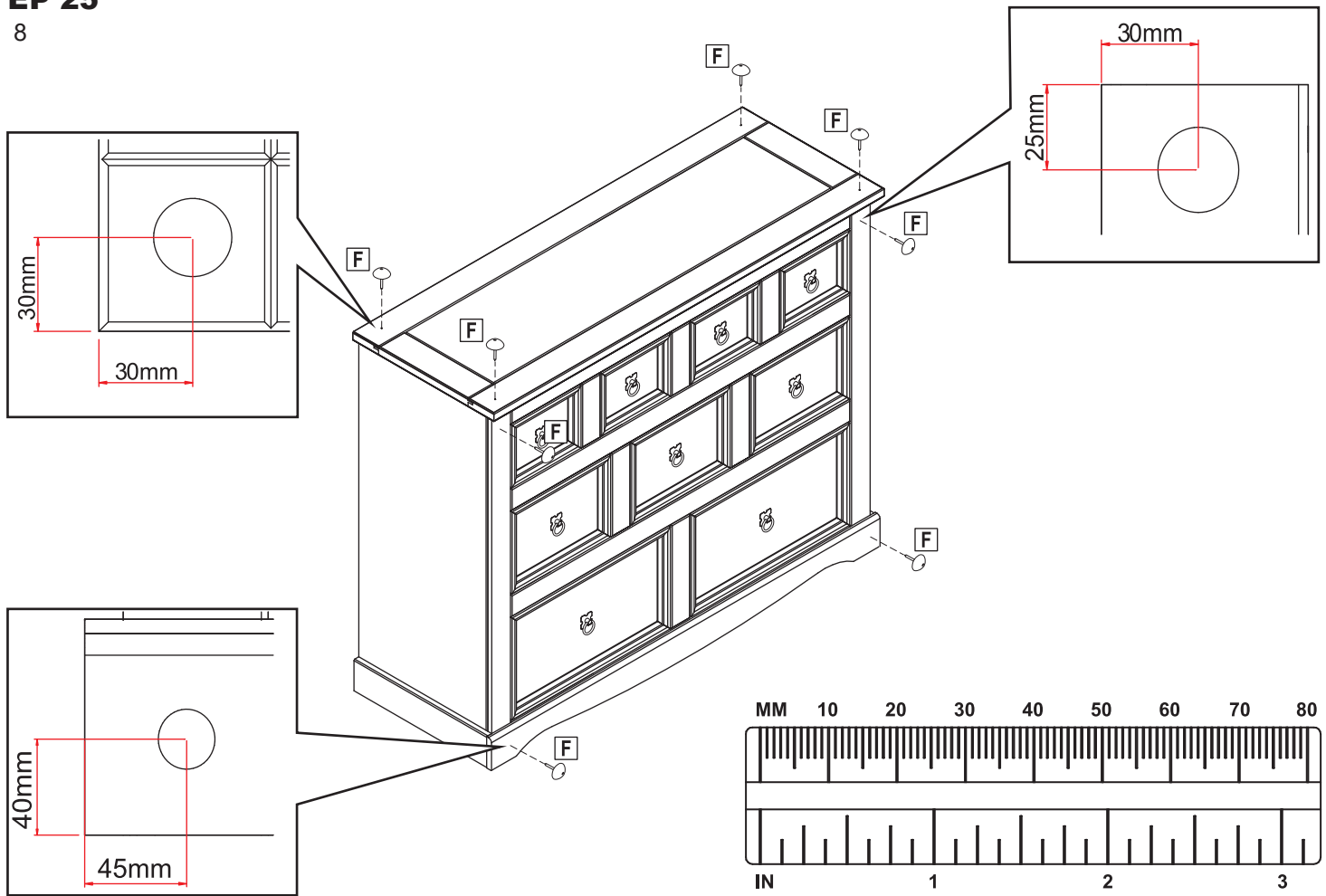


Repeat the process used for Step 23 to secure three middle drawers to the middle of the cabinet and four small drawers to the top of the cabinet using M4x8mm Bolts (K).

NOTE: The drawers have a second pre-drilled hole toward the back of the drawer sides, this hole is a result of the manufacturing process and is not intended for securing the drawer to the slide.

STEP 25

F: 8



For even spacing, carefully measure and install eight Tacks (F) as indicated above.

●●●● **HELPFUL MEASURING HACK** ●●●●

To help ensure tacks are evenly spaced, we developed a hack to make this step easier. Grab a blank white piece of paper or tracing paper, a writing utensil, a ruler and scissors.

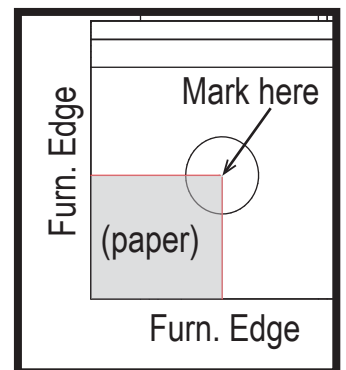
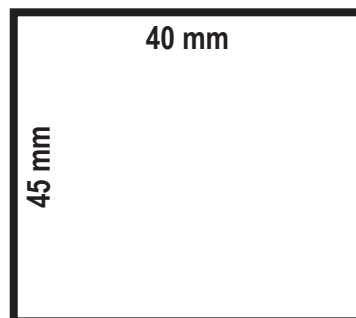
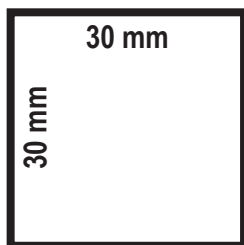
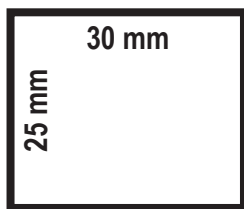
The blocks below are sized to the dimensions noted in the above diagrams.

Place the blank piece of paper over the blocks below. Use a writing utensil to mark the corner of each block. Use a ruler to connect the dots of each block. Write the size inside the block and cut them out.

Align the cutout with the designated corner (shown above).

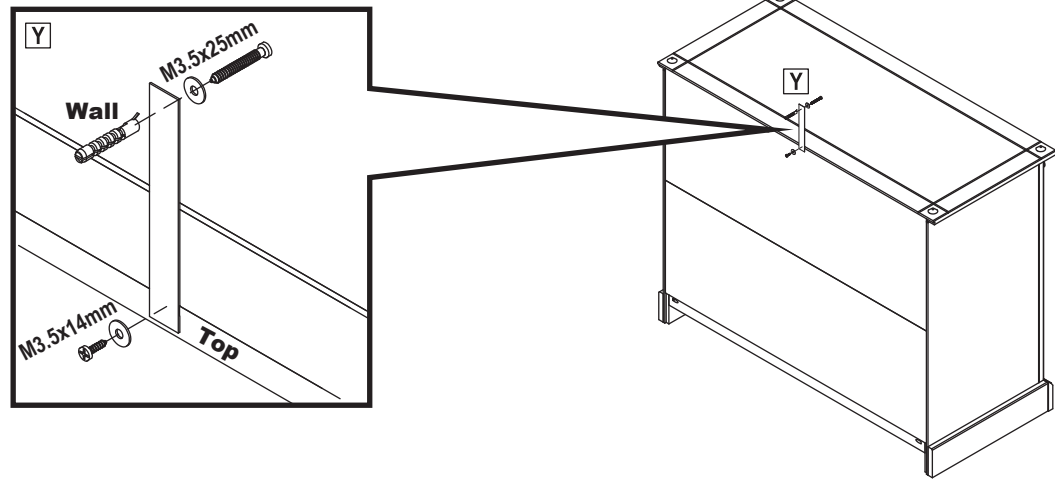
Use the sharp end of one of the tacks to make a small indent at inside corner of cutout.

After tack placement has been marked, install tacks using a rubber mallet.



STEP 26

Y: 1



WARNING: Check for pipes and electrical wiring before drilling.

IMPORTANT: If walls are not solid like brick, stone or concrete, you will require special fittings (not included). When in doubt, consult a professional.

Carefully measure the location of pilot hole before drilling and installing the unit.

- Place wall mounting strap against the wall and mark the position for drilling the hole.
- Using a power drill with a 6mm bit, drill a hole to 30mm depth. If the wall is softer, using a 5mm bit is recommended.
- Insert the wall anchor into the hole until the opening is flush with the wall.
- Secure the strap to the wall using the 25mm screw and washer.
- Use a 2mm drill bit to drill a small pilot hole on the back of the furniture top. Secure the other end of the strap to the furniture using the 14mm screw and washer.

! SAFETY STATEMENTS & WARNINGS !

- For residential use only. Not for commercial or industrial use.
- For indoor use only.
- Ensure fittings are tight before use. Periodically check fitting to ensure they are tight.
- Only use this unit on a flat, level surface.
- Do not sit, stand or climb on the unit.
- Supervise children; never allow children to climb or sit on this unit as it may tip over and cause serious injury.
- Do not place liquids or hot items directly on the furniture.
- Never use chemical cleaning products or polishes as they may damage the finish.
- Do not exceed the weight capacity of the furniture.
- Do not overload the drawers as doing so may cause damage.
- Do not place the unit in direct sunlight.
- Avoid placing unit near heating or cooling vents as forced air is very drying and can damage the unit.
- Do not write on furniture without a padded barrier to protect the surface.

Any modification to the product or failure to follow recommended care will void the product warranty.

If you experience issues with assembly or the product was damaged during shipping, please contact our customer service team directly through one of the methods mentioned at the top of page 1.

Please have the item number and order information ready to expedite response time.

! NOTICE:

Manufacturer and seller expressly disclaim any and all liability from personal injury, property damage or loss, whether direct or indirect, or incidental, resulting from the incorrect attachment, improper use, inadequate maintenance, or neglect of this product.